

T3.5 STANDARD

STANDARD WIRED MOTOR, Ø 40 MM



PROGRESSIVE END-LIMIT SYSTEM

SETTING OF THE UP AND DOWN END-LIMITS DIRECTLY ON THE MOTOR HEAD

CLASS II MOTOR

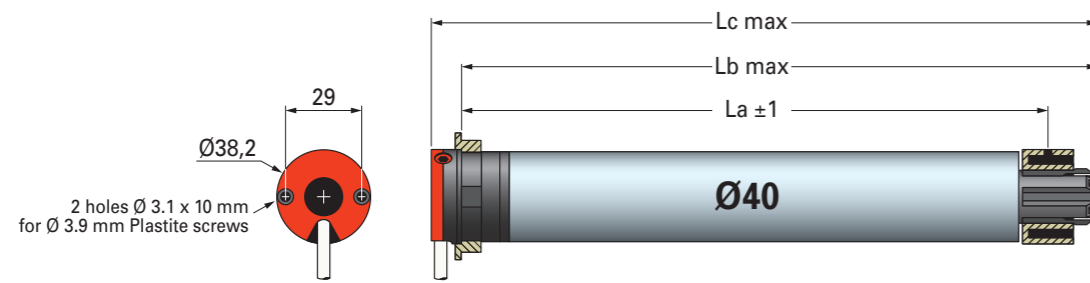
...no earth connection required

RANGE

230V - 50 Hz POWER SUPPLY

DESCRIPTION	TORQUE	SPEED	POWER	CURRENT	La	Lb	Lc	WEIGHT
T3.5 - 3/30	3 Nm	30 Rpm	90 W	0,42 A	448 mm	471 mm	485 mm	1,12 kg
T3.5 - 4/16	4 Nm	16 Rpm	80 W	0,39 A	377 mm	400 mm	414 mm	1,02 kg
T3.5 - 6/16	6 Nm	16 Rpm	90 W	0,42 A	448 mm	471 mm	485 mm	1,11 kg
T3.5 - 9/16	9 Nm	16 Rpm	110 W	0,52 A	448 mm	471 mm	485 mm	1,22 kg
T3.5 - 13/10	13 Nm	10 Rpm	110 W	0,52 A	448 mm	471 mm	485 mm	1,25 kg



DIMENSIONS



La: Drilling dimensions of tubes
Lb: Adapted motor size inside the tube
Lc: Total motor length with adaptor

T3,5 TECHNICAL DATA

POWER SUPPLY	230 Volt - 50 Hz
THERMAL CUT-OUT	4 minutes
PROGRESSIVE END-LIMIT	with a capacity of 40 rounds (excepted for the 4/16 = capacity of 20 rounds)
PROTECTION INDEX	IP 44
OPERATING TEMPERATURE	from -10°C to +40°C and exceptionally from -20°C to + 60°C
POWER CABLE	2.5 meters (3x0.75 mm ² , white, H05 VVF) new cables: 6.5 meters (3x0.75 mm ² , RRF black) 10 meters (3x0.75 mm ² , RRF black) 10 meters (3x0.75 mm ² , VVF white)
MOTOR HEAD THICKNESS	14 mm
4 CYCLES PER DAY	non consecutive
INSULATION CLASSE	Classe II motor <input type="checkbox"/>

CERTIFICATION:  
& STANDARD: 



CIB — Photo credit: SIMU, Charles-Edouard Gil — Realisation: SIMU - 10715 - SIMU SAS, capital 5 000 000 euros, RCS Vesoul 425 650 090. This document is not legally binding. We reserve ourselves the right to make any useful modification in order to constantly develop and improve our tender. SIMU shall not be held responsible for misuse by non-professionals.

MOTORS Ø 40 MM

NEW RANGE T3.5 Hz.02 - T3.5 AUTO - T3.5



NEW RANGE

- **A complete collection with many functions:** the range of motors Ø40 mm offers a lot of functions to answer to all market's needs.
 - T3.5 Hz.02: electronic radio motor with end-limit adjustment directly from the transmitter
 - T3.5 Auto: electronic wired motor with automatic end-limit adjustment
 - T3.5 standard: wired motor with manual end-limit adjustment
- **No earth connection required:** all SIMU's motors Ø40 mm, powered in 230 volts, are Class II. No need to be connected to the earth.
- **Faster motors:** for this new range, speed increases for all motors (from 2 to 6 additional rpm depending on the motor torque).
- **From 3 Nm to 13 Nm,** in order to motorize most roller shutters or screens with standard sizes.
- **New cable lengths available:**
 - T3.5 Hz.02 (3Nm/30 rpm): 5 and 10 meters length
 - T3.5 Standard (3Nm/30 rpm): 6.5 and 10 meters length



T3.5 Hz 02

ELECTRONIC RADIO MOTOR, Ø 40 MM



MOTOR WITH BUILT-IN SIMU-HZ RADIO RECEIVER

ELECTRONIC END-LIMIT SYSTEM

REMOTE SETTING OF UP AND DOWN END-LIMITS
...from a SIMU-Hz transmitter (excepted sequential hz transmitter)

INTERMEDIATE POSITION FUNCTION
...it is possible to record a user's favorite position

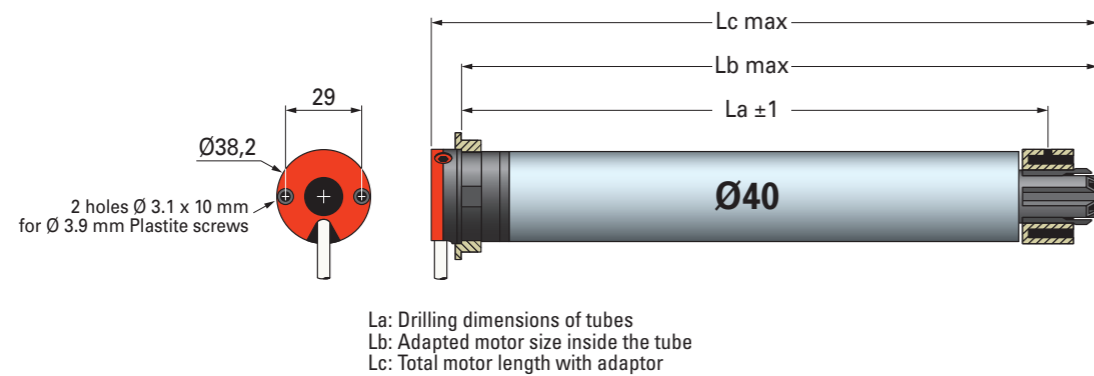
CLASS II MOTOR
...no earth connection required

RANGE

230V - 50 Hz POWER SUPPLY

DESCRIPTION	TORQUE	SPEED	POWER	CURRENT	La	Lb	Lc	WEIGHT
T3.5 Hz.02 - 3/30	3 Nm	30 Rpm	90 W	0,42 A	483 mm	506 mm	520 mm	1,14 kg
T3.5 Hz.02 - 4/16	4 Nm	16 Rpm	80 W	0,39 A	448 mm	471 mm	485 mm	1,07 kg
T3.5 Hz.02 - 9/16	9 Nm	16 Rpm	110 W	0,52 A	483 mm	506 mm	520 mm	1,25 kg
T3.5 Hz.02 - 13/10	13 Nm	10 Rpm	110 W	0,52 A	483 mm	506 mm	520 mm	1,27 kg

DIMENSIONS



T3,5 Hz.02 TECHNICAL DATA

POWER SUPPLY	230 Volt - 50 Hz
THERMAL CUT-OUT	4 minutes
END-LIMIT	Electronic system with operating limited to 3 minutes
PROTECTION INDEX	IP 44
OPERATING TEMPERATURE	from -10°C to +40°C and exceptionally from -20°C to + 60°C
POWER CABLE	3 meters (2x0.75 mm ² , white, H05 VVF) new cables: 3 meters (2x 0.75 mm ² , RRF black) 5 meters (2x0.75 mm ² , VVF white) 10 meters (2x 0.75 mm ² , RRF black)
RADIO FREQUENCY	433.42 MHz
SECURE COMMUNICATION	Encrypted control orders + rolling code with 16 million possible combinations
4 CYCLES PER DAY	non consecutive
INSULATION CLASSE	Classe II motor <input type="checkbox"/>
CERTIFICATION:	
& STANDARD:	

T3.5 AUTO

ELECTRONIC WIRED MOTOR, Ø 40 MM



AUTOMATIC SETTING OF THE UP AND DOWN END-LIMIT
... the roller shutter must be equipped with up and down stoppers.

STOP ON OBSTACLE FUNCTION
... the motor stops when closing in the case of an obstruction

FROST DETECTION FUNCTION
... the motor stops when opening if the shutter curtain is stuck in the guide rails by frost or if the bottom lath is locked

PERMANENT READJUSTMENT OF END-LIMITS
... thanks to the self-learning and constant revising of the up and down end-limit positions. It adapts thus to the variations in length of the shutter curtain over timer.

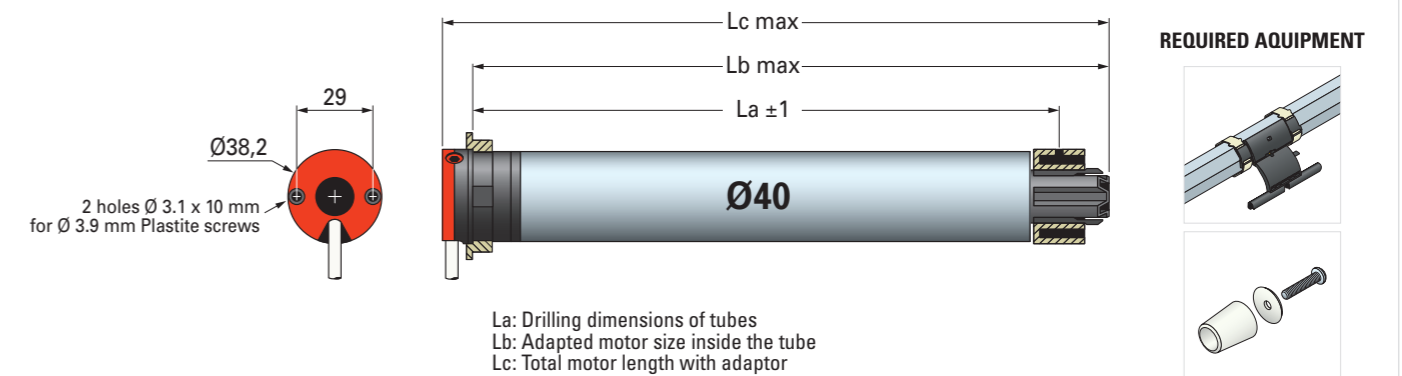
CLASS II MOTOR
...no earth connection required

RANGE

230V - 50 Hz POWER SUPPLY

DESCRIPTION	TORQUE	SPEED	POWER	CURRENT	La	Lb	Lc	WEIGHT
T3.5 AUTO - 4/16	4 Nm	16 Rpm	80 W	0,39 A	448 mm	471 mm	485 mm	1,03 kg
T3.5 AUTO - 9/16	9 Nm	16 Rpm	110 W	0,52 A	483 mm	506 mm	520 mm	1,20 kg
T3.5 AUTO - 13/10	13 Nm	10 Rpm	110 W	0,52 A	483 mm	506 mm	520 mm	1,23 kg

DIMENSIONS



T3,5 AUTO TECHNICAL DATA

POWER SUPPLY	230 Volt - 50 Hz
THERMAL CUT-OUT	4 minutes
END-LIMIT	Electronic system with operating limited to 3 minutes
PROTECTION INDEX	IP 44
OPERATING TEMPERATURE	from -10°C to +40°C and exceptionally from -20°C to + 60°C
POWER CABLE	2,5 meters (3x0.75 mm ² , white, H03 VVF)
MOTOR HEAD THICKNESS	14 mm
4 CYCLES PER DAY	non consecutive
INSULATION CLASS	Classe II motor <input type="checkbox"/>
CERTIFICATION:	
& STANDARD:	