

## ACCESSORIES



### ADAPTOR SETS FOR TUBES Ø34, Ø42 OR Ø48 MM

- These kits give the opportunity to implement CENTRIS in mechanisms using Ø34, Ø42 or Ø48mm tube. These kits can be used with CENTRIS M or L for Ø60 mm tube.



### ADAPTOR SETS FOR CROWN

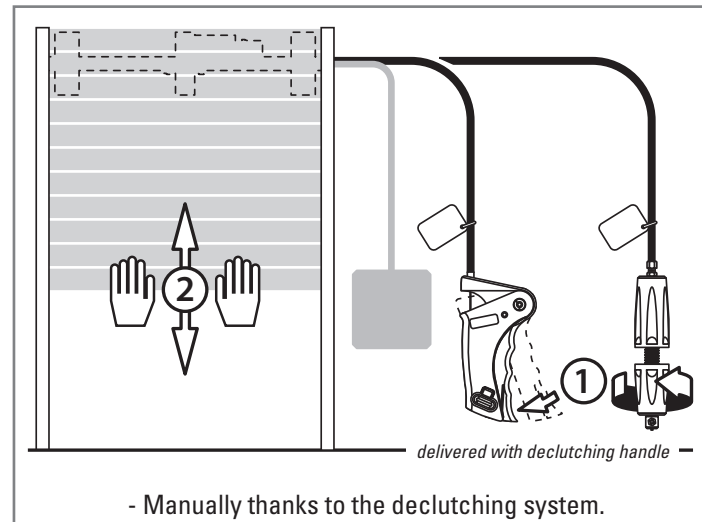
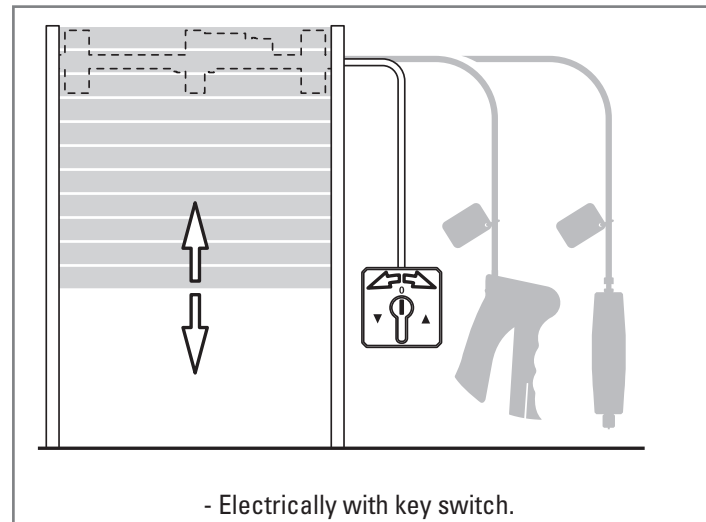
- adaptor set for crown to Ø 200 mm until Ø 220 mm
- adaptor set for crown to Ø 220 mm until Ø 240 mm.



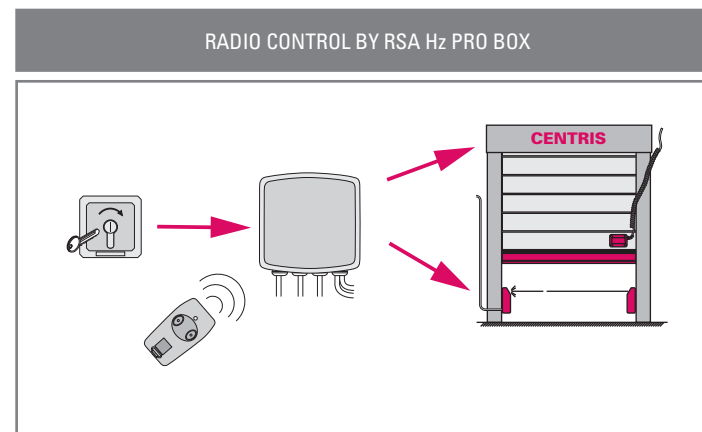
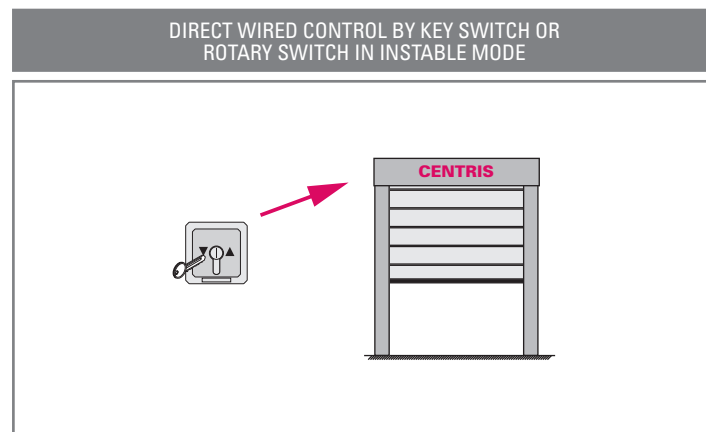
### DECLUTCHING SET

SIMU has designed an ergonomic handle enabling a quick declutching: you just have to press the handle for an immediate declutching, making the manual operation of the curtain possible. A declutching kit (a handle, a 6m cable, an instruction sheet) is delivered with CENTRIS motors, which are equipped with a built-in brake.

## USE



## COMPATIBILITY



## CONTROLS RECOMMENDED



Realisation SIMU - Dossier T2-00300/PAO - 06/12 — This document is not legally binding. We reserve ourselves the right to make any useful modification in order to constantly develop and improve our tender. SIMU shall not be held responsible for misuse by non-professionals.



CENTRAL MOTORS

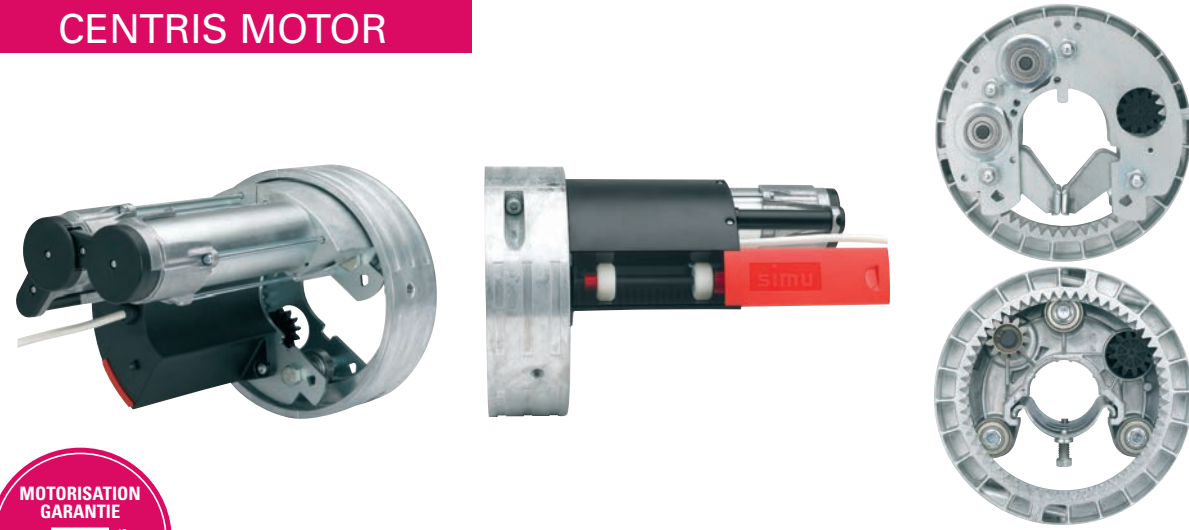
CENTRIS

### THE NEW GENERATION OF CENTRAL MOTOR!

- **100% conformed to European standards:** CENTRIS has been designed to guarantee the highest level of security and thus, perfectly meets the requirements of the European standards.
- **Robust and reliable, it is designed to last:** in order to provide you a high quality motor, CENTRIS is designed with reliable, strong materials (zamac, metal plate,...) and with patented systems and technologies (enduring fixing system, protection box for the end-limit system,...).
- **A range to meet all needs:** thanks to a wide combination of torques / motor diameters / crown diameters, you will be sure to find in the CENTRIS range the motor you need (see the chart on the back of the page).
- **Easy and very quick adjustment:** the progressive system equipped with memory rings allows an easy and quick adjustment: only one opening and closing are needed to set CENTRIS! This reliable adjustment system gives the opportunity to save time during installation.
- **Total protection:** the end-limit system is integrated into a protection box. In this way, it is protected against collisions.



# CENTRIS MOTOR



## TECHNICAL SPECIFICATION

<b>SETTING</b>	Semi-automatic setting system, with memory rings
<b>POWER SUPPLY</b>	230 Volts - 50 Hz 220 Volts - 60 Hz (range for Saudi Arabia) 120 Volts - 60 Hz (US range)
<b>THERMAL CUT-OUT</b>	4 minutes
<b>NUMBER OF CYCLES PER DAY</b>	10 (no consecutive)
<b>PROTECTION INDEX</b>	IPX4
<b>STANDARD CABLE</b>	white, H05 VVF, long. 4 meters

## SELECTION CHARTS

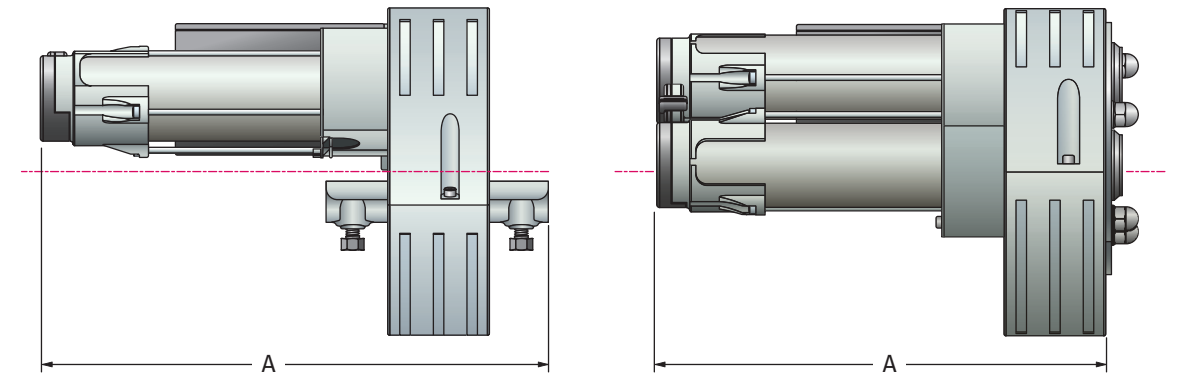
The choice of the motor depends on:

- The shutter weight
- The central tube diameter (Ø60 or Ø76)
- The spring box (Ø200, Ø220 or Ø240)

MOTORS	CROWN Ø 200	CROWN Ø 220	CROWN Ø 240
<b>CENTRIS M</b>	160 KG	150 KG	-
<b>CENTRIS L</b>	220 KG	200 KG	180 KG
<b>CENTRIS XL</b>	-	255 KG	230 KG
<b>CENTRIS XXL</b>	-	350 KG	330 KG
<b>CENTRIS 90</b>	200 KG	180 KG	-
<b>CENTRIS 170</b>	-	300 KG	280 KG

Selection charts and limits of use are given for information and vary according to each installation characteristics. That can not commit the salesman or manufacturer's responsibility at all. For any special case, please consult us.

## TECHNICAL DRAWING



## TECHNICAL SPECIFICATION

Power supply 230V - 50Hz

DESCRIPTION	TORQUE	POWER	CURRENT	SPEED	END-LIMIT CAPACITY	BRAKE AND DECLUTCHING	DIAMETER TUBE	CROWN	WEIGHT	LONG A	REFERENCES
<b>CENTRIS M</b>	75 Nm	300 W	1,3 A	10 rpm	12 rounds	yes	60 mm	200 mm	6,3 kg	342 mm	<b>2007112</b>
<b>CENTRIS M</b>	75 Nm	300 W	1,3 A	10 rpm	12 rounds	yes	60 mm	220 mm	6,5 kg	342 mm	<b>2007114</b>
<b>CENTRIS M</b>	75 Nm	300 W	1,3 A	10 rpm	12 rounds	no	60 mm	200 mm	6,3 kg	342 mm	<b>2007113</b>
<b>CENTRIS M</b>	75 Nm	300 W	1,3 A	10 rpm	12 rounds	no	60 mm	220 mm	6,5 kg	342 mm	<b>2007115</b>
<b>CENTRIS L</b>	100 Nm	360 W	1,6 A	10 rpm	12 rounds	yes	60 mm	200 mm	6,6 kg	357 mm	<b>2007117</b>
<b>CENTRIS L</b>	100 Nm	360 W	1,6 A	10 rpm	12 rounds	yes	60 mm	220 mm	6,8 kg	357 mm	<b>2007120</b>
<b>CENTRIS L</b>	100 Nm	360 W	1,6 A	10 rpm	12 rounds	yes	76 mm	220 mm	6,8 kg	342 mm	<b>2007124</b>
<b>CENTRIS L</b>	100 Nm	360 W	1,6 A	10 rpm	12 rounds	yes	76 mm	240 mm	7,6 kg	342 mm	<b>2007231</b>
<b>CENTRIS L</b>	100 Nm	360 W	1,6 A	10 rpm	12 rounds	no	60 mm	200 mm	6,6 kg	357 mm	<b>2007118</b>
<b>CENTRIS L</b>	100 Nm	360 W	1,6 A	10 rpm	12 rounds	no	60 mm	220 mm	6,8 kg	357 mm	<b>2007121</b>
<b>CENTRIS XL</b>	140 Nm	450 W	2 A	10 rpm	12 rounds	yes	60 mm	220 mm	7 kg	372 mm	<b>2007125</b>
<b>CENTRIS XL</b>	140 Nm	450 W	2 A	10 rpm	12 rounds	yes	76 mm	220 mm	7 kg	357 mm	<b>2007128</b>
<b>CENTRIS XL</b>	140 Nm	450 W	2 A	10 rpm	12 rounds	yes	76 mm	240 mm	7,87 kg	357 mm	<b>2007232</b>
<b>CENTRIS XL</b>	140 Nm	450 W	2 A	10 rpm	12 rounds	no	60 mm	220 mm	7 kg	372 mm	<b>2007126</b>
<b>CENTRIS XXL</b>	200 Nm	650 W	2,85 A	10 rpm	12 rounds	yes	60 mm	220 mm	10,5 kg	342 mm	<b>2007129</b>
<b>CENTRIS XXL</b>	200 Nm	650 W	2,85 A	10 rpm	12 rounds	yes	76 mm	220 mm	10,5 kg	342 mm	<b>2007131</b>
<b>CENTRIS XXL</b>	200 Nm	650 W	2,85 A	10 rpm	12 rounds	yes	76 mm	240 mm	10,7 kg	342 mm	<b>2007134</b>

Power supply 220V - 60Hz

DESCRIPTION	TORQUE	POWER	CURRENT	SPEED	END-LIMIT CAPACITY	BRAKE AND DECLUTCHING	DIAMETER TUBE	CROWN	WEIGHT	LONG A	REFERENCES
<b>CENTRIS 90</b>	90 Nm	380 W	1,80 A	12 rpm	12 rounds	yes	60 mm	220 mm	6,8 kg	357 mm	<b>2007138</b>
<b>CENTRIS 170</b>	170 Nm	780 W	3,7 A	12 rpm	12 rounds	yes	60 mm	220 mm	10,5 kg	342 mm	<b>2007140</b>
<b>CENTRIS 170</b>	170 Nm	780 W	3,7 A	12 rpm	12 rounds	yes	76 mm	240 mm	10,7 kg	342 mm	<b>2007141</b>

Power supply 120V - 60Hz

DESCRIPTION	TORQUE	POWER	CURRENT	SPEED	END-LIMIT CAPACITY	BRAKE AND DECLUTCHING	DIAMETER TUBE	CROWN	WEIGHT	LONG A	REFERENCES
<b>CENTRIS 100</b>	100 Nm	390 W	3,3 A	12 rpm	12 rounds	yes	60 mm	200 mm	7,04 kg	357 mm	<b>2007119</b>
<b>CENTRIS 100</b>	100 Nm	390 W	3,3 A	12 rpm	12 rounds	yes	60 mm	220 mm	6,8 kg	357 mm	<b>2007123</b>
<b>CENTRIS 200</b>	200 Nm	790 W	6,6 A	12 rpm	12 rounds	yes	60 mm	220 mm	10,5 kg	342 mm	<b>2007130</b>
<b>CENTRIS 200</b>	200 Nm	790 W	6,6 A	12 rpm	12 rounds	yes	76 mm	220 mm	10,64 kg	342 mm	<b>2007133</b>