

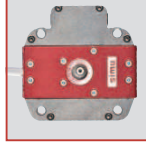
DMI 5 Hz.01 MOTOR

RADIO, Ø 50 MM

MOTOR WITH BUILT-IN SIMU-HZ RADIO RECEIVER
 BUILT-IN MANUAL OVERRIDE
 PROGRESSIVE END-LIMIT SYSTEM

SETTING OF THE UP AND DOWN END-LIMITS ON THE MOTOR HEAD
 ...on either sides of the head.

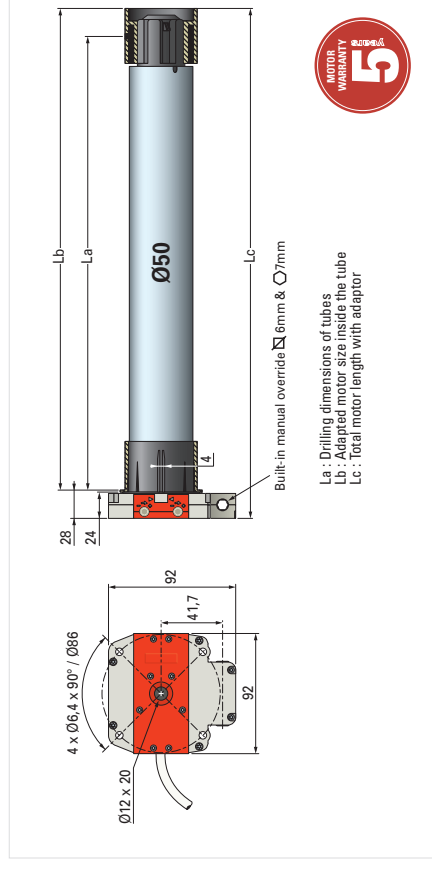
COMPACT MOTOR HEAD
 ...only 24mm thickness



RANGE

POWER SUPPLY 230V - 50 Hz									
DESCRIPTION	TORQUE	SPEED	POWER	CURRENT	La	Lb	Lc	WEIGHT	REFERENCE
DMI 5 Hz.01 - 10/17	10 Nm	17 rpm	120 W	0,5 A	716 mm	729 mm	757 mm	2,85 kg	2004667
DMI 5 Hz.01 - 25/17	25 Nm	17 rpm	170 W	0,8 A	716 mm	729 mm	757 mm	3,27 kg	2004668
DMI 5 Hz.01 - 35/17	35 Nm	17 rpm	240 W	1,1 A	756 mm	769 mm	797 mm	3,44 kg	2004669
DMI 5 Hz.01 - 50/12	50 Nm	12 rpm	240 W	1,1 A	756 mm	769 mm	797 mm	3,46 kg	2004670
POWER SUPPLY 120V - 60 Hz									
DESCRIPTION	TORQUE	SPEED	POWER	CURRENT	La	Lb	Lc	WEIGHT	REFERENCE
DMI 5 Hz.01 - 15/18	15 Nm	18 rpm	145 W	1,3 A	716 mm	729 mm	757 mm	3,81 kg	2004671
DMI 5 Hz.01 - 25/18	25 Nm	18 rpm	180 W	1,6 A	756 mm	769 mm	797 mm	4,15 kg	2004672
DMI 5 Hz.01 - 30/12	30 Nm	12 rpm	170 W	1,5 A	756 mm	769 mm	797 mm	4,2 kg	2004673
DMI 5 Hz.01 - 35/18	35 Nm	18 rpm	250 W	2,1 A	756 mm	769 mm	797 mm	4,3 kg	2004674
DMI 5 Hz.01 - 50/12	50 Nm	12 rpm	250 W	2,1 A	756 mm	769 mm	797 mm	4,4 kg	2004675

DIMENSIONS



SPECIFICATION

POWER SUPPLY 230 Volts - 50 Hz or 120 Volts - 60 Hz (US range)
THERMAL CUT-OUT 4 minutes (230V) or 5 minutes (120V)

PROGRESSIVE END-LIMIT with a capacity of 30 rounds of the manual override: 27/1

REDUCING RATIO IP 44

PROTECTION INDEX from -10°C to +40°C and exceptionally from -20°C to +60°C

POWER CABLE 230V 2.5 meters (3x0,75 mm² wires, white H05 VVF)

POWER CABLE 120V 2.5 meters (3xAWG19 wires, white H05 VVF)

RADIO FREQUENCY 433.42 MHz

SECURE COMMUNICATION Encrypted control orders

+ Rolling code with 16 million possible combinations

RANGE ~200m in free field

and ~20m through 2 reinforced concrete walls

(depends on the environment and on the radio pollution)

BASE DIAMETER OF THE CROWN for Ø50 x 1.5 mm round tube

MOTOR HEAD THICKNESS 24 mm

4 CYCLES PER DAY non consecutive

INSULATION CLASS Class I motor

CERTIFICATION NF A D E, PU, UL

& STANDARD CE