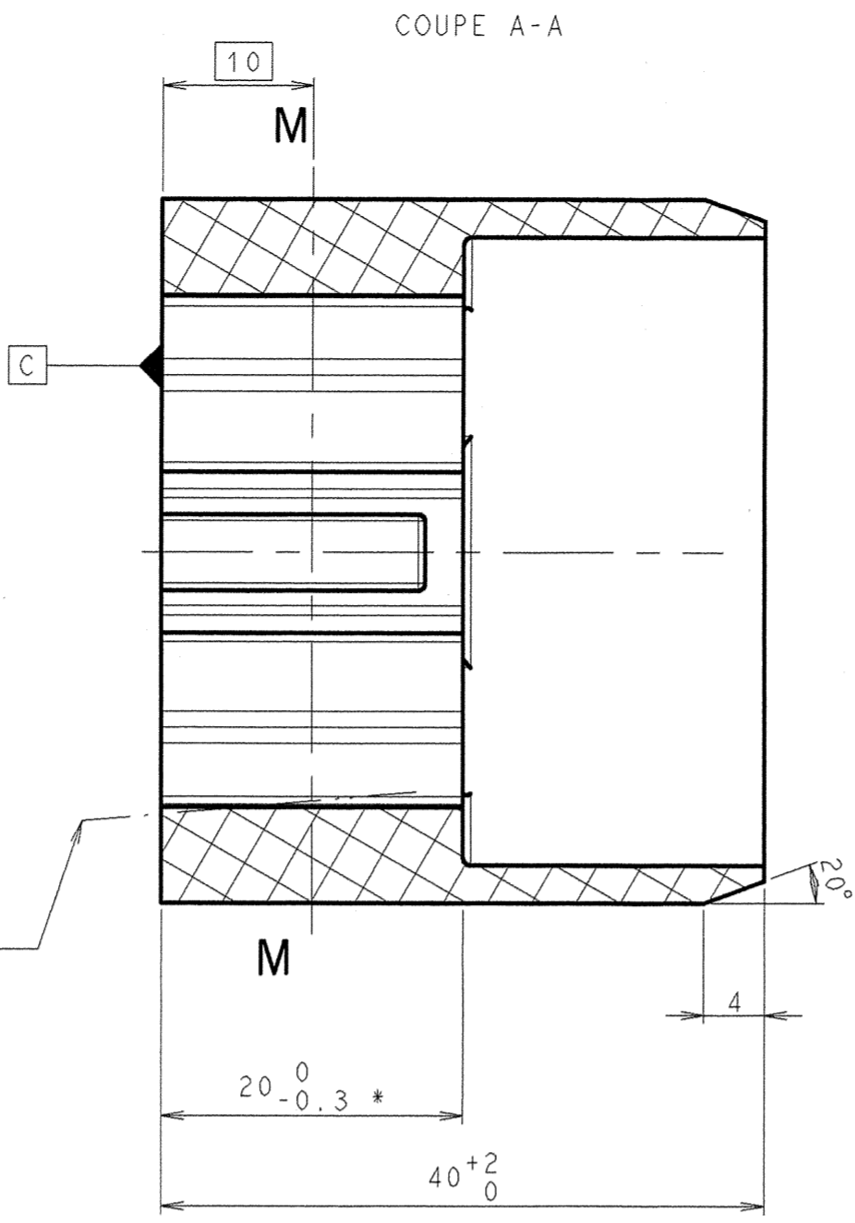
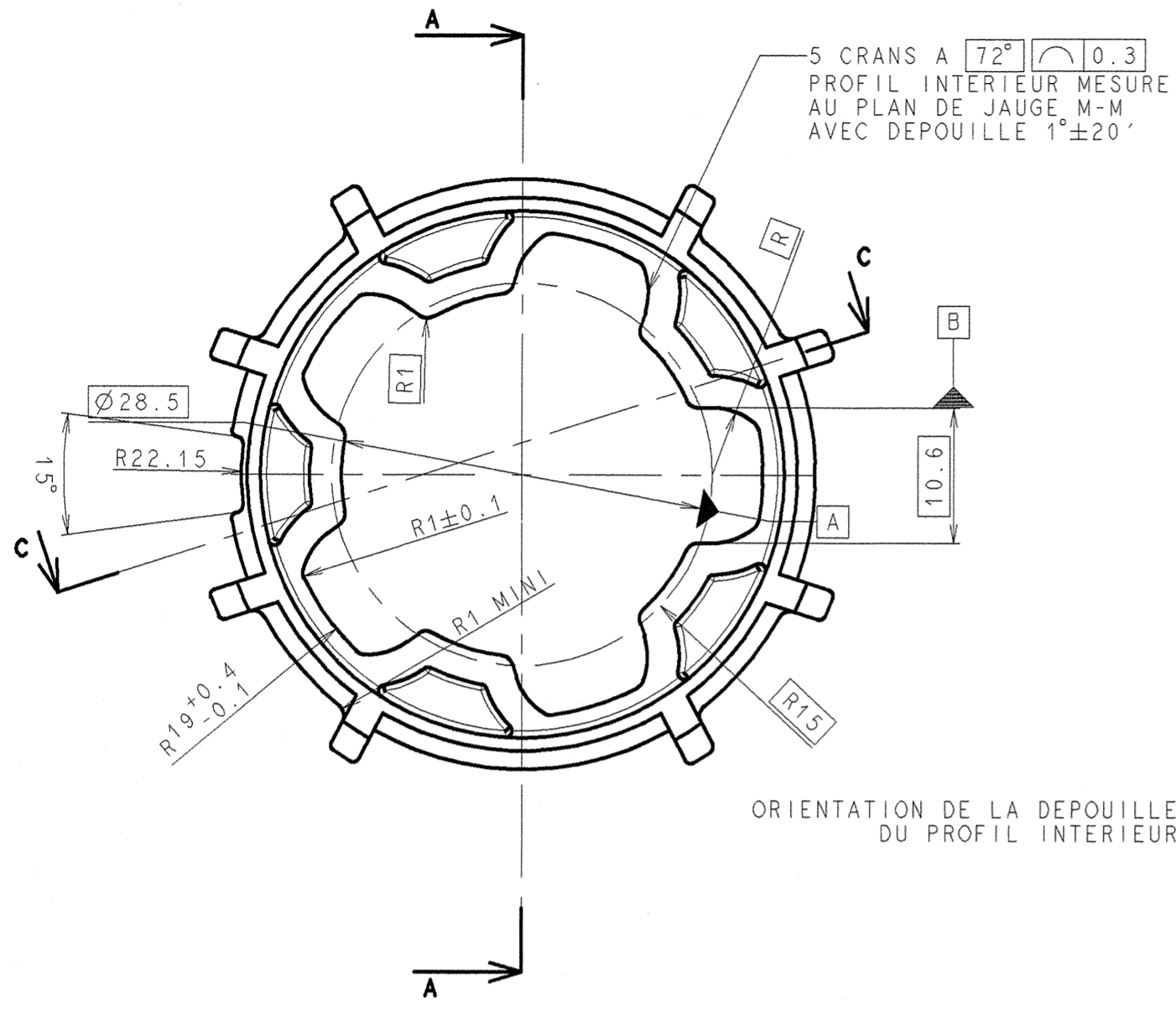
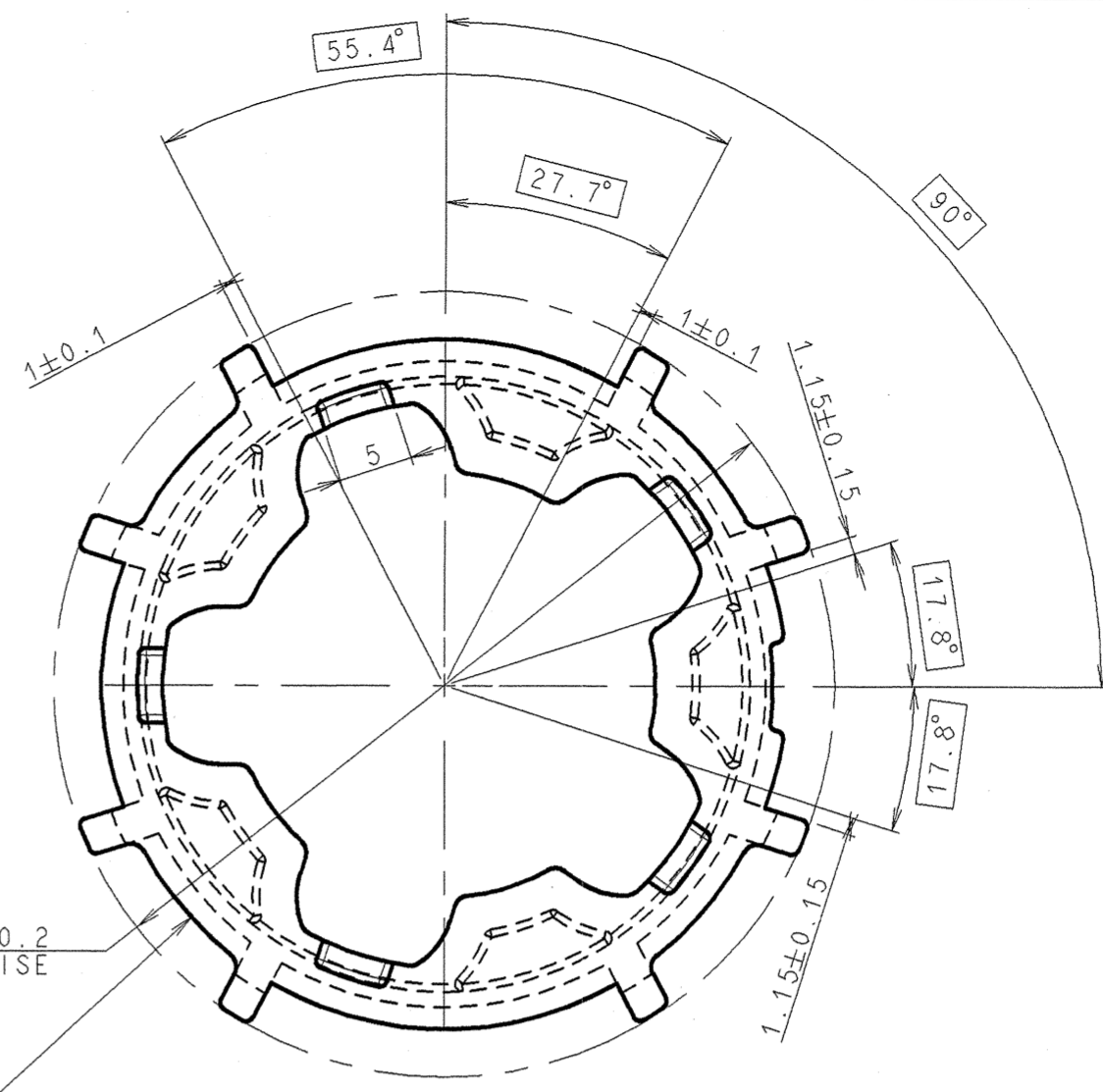


This drawing shall not be used, reproduced or passed on in any way, in full or in part, without SOMFY written approval. All rights reserved



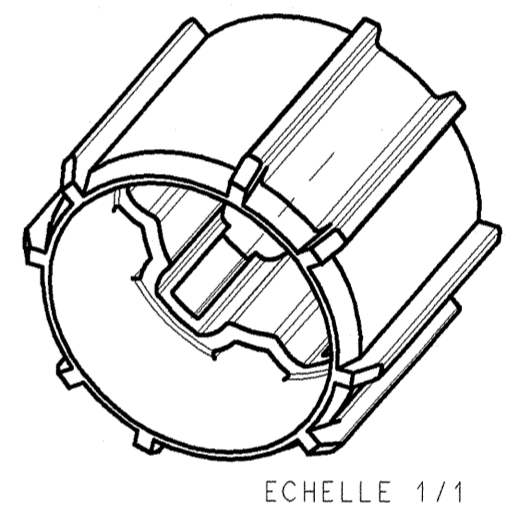
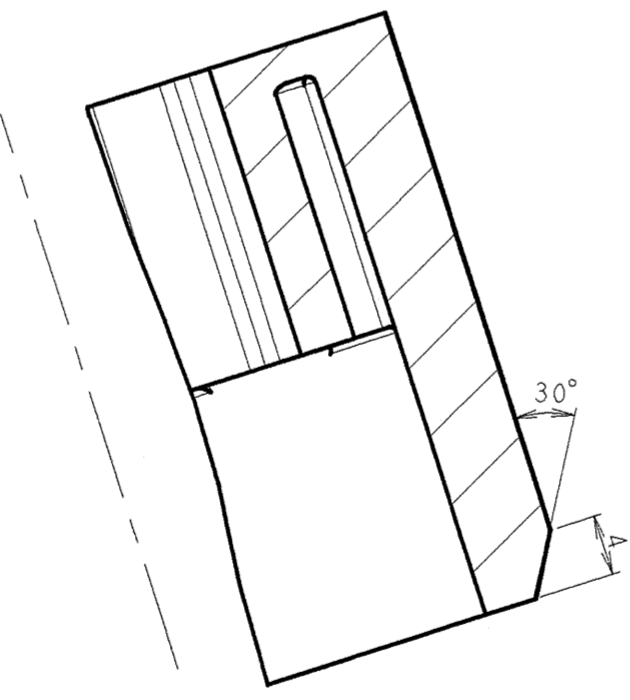
$\varnothing 52.5 \pm 0.2$
 DEPOUILLE COMPRISE

$\varnothing 46.3 \pm 0.3$
 DEPOUILLE EN MOINS
 1° MAXI

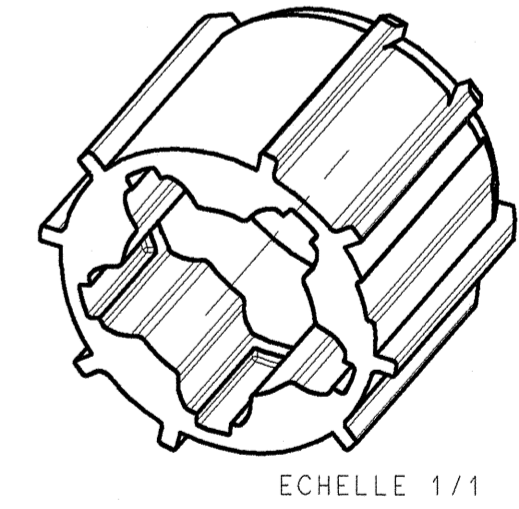
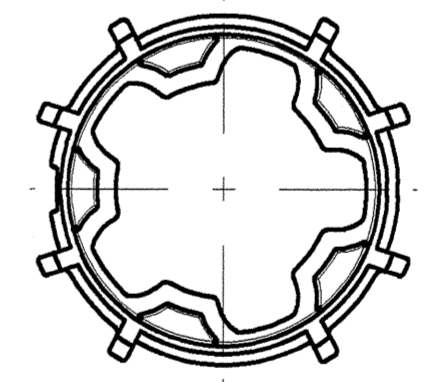


ORIENTATION DE LA DEPOUILLE
 DU PROFIL INTERIEUR

* COTE DE $20(0/-0.3)$ PRISE DANS UN CYLINDRE
 DE DIAMETRE 36mm ENTRE LA FACE C
 ET SA FACE OPPOSEE



A B C REFERENCES METROLOGIQUES
 RAYONS NON COTES $R0.5$
 EPAISSEUR 2.5
 INSCRIPTIONS SUIVANTES EN CREUX SUR LA FACE C :
 * REFERENCE PIECE 7 CHIFFRES
 * CODE FOURNISSEUR
 * DATEUR
 * MADE IN FRANCE - SOMFY 74300 FRANCE



VOLUME THEORIQUE: 21300 mm^3

N° Etude: H 633		MATERIAL: PA66GF30 - NOIR	GENERAL TOLERANCES AND GEOMETRIC TOLERANCES IN ACCORDANCE WITH SOM-DIRE 24(VI): Classe Normale Svt NF T 58-000
		Drawing By: S ANTHOINE date: 22-Feb-05	
		Approved By: T HSTIN date: 20/09/05	
		SOMFY	
		FRANCE	
DESIGNATION: ROUE LT50 TUBE DEPRAT 53		Scale: 2/1	Ind. link: X.04
		N°: 9012711 A 00	