



Committed to **you**

BLACK RNF CABLE

RANGE OF MOTORS FOR BLINDS WITH BLACK RNF CABLES

New

THE ENTIRE RANGE OF MOTORS IS EQUIPPED WITH A BLACK UV-RESISTANT RNF CABLE, SUITABLE FOR OUTDOOR USE





- A COMPLETE RANGE IN WIRED AND RADIO-CONTROLLED VERSION, with or without manual override.
- AVAILABLE IN DIAMETERS OF 50 AND 60, for torques of 8 to 120Nm in order to cover all types of awnings and cassette blinds.
- FOR QUICK ADJUSTMENT, an electronic limit switch system on the Hz02 and ESP versions.
- A SINGLE FUNCTION FOR THE ESP HZ MODEL:

BACK IMPULSE FUNCTION: once the blind has been extended, the motor reverses slightly (max. half a turn) to ensure perfect tensioning of the fabric.

BACK RELEASE FUNCTION: once the box of the cassette blind is closed, the motor slightly relieves the tension in the fabric and ensures a longer service life.





OVERVIEW OF THE RANGE

LINE

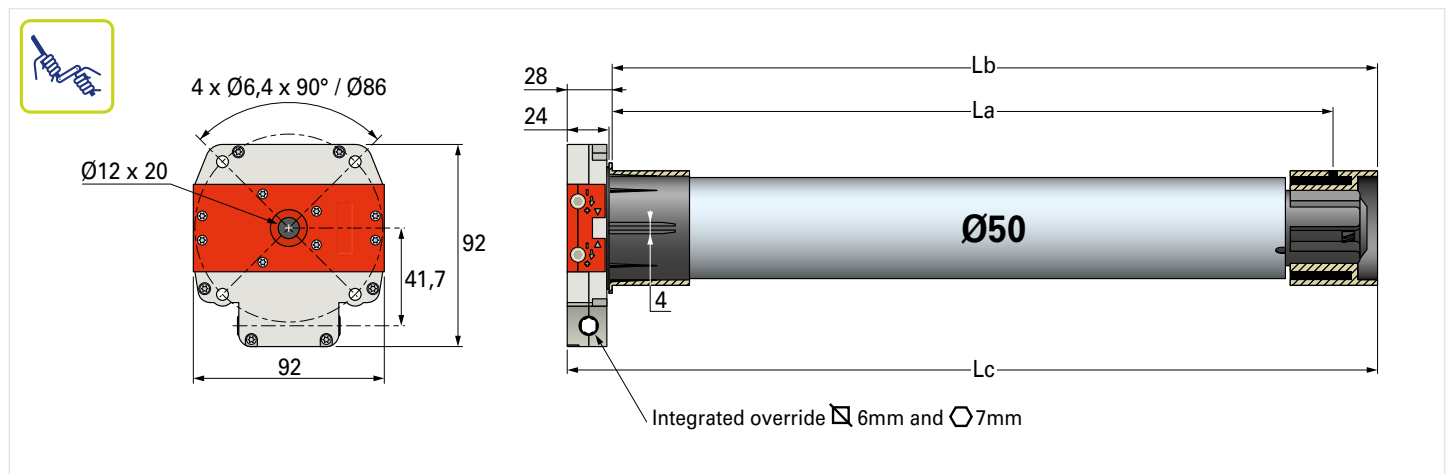
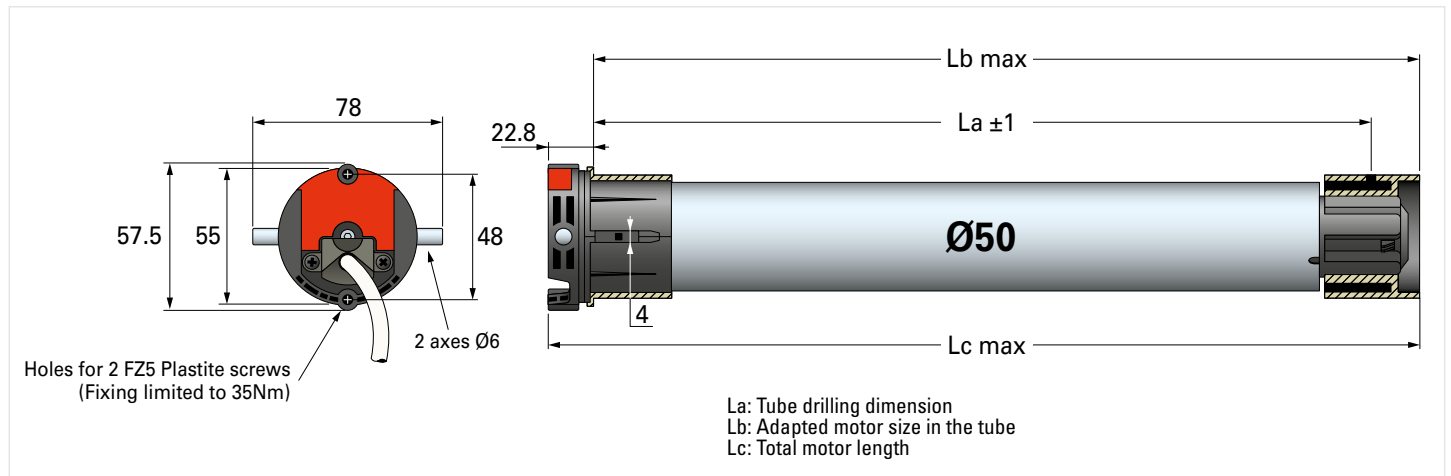
				Electronic limit switch system
	Without Manual Override	T5	T6	
	With Manual Override 	DMI5	DMI6	
	ESPS	T5 ESP	T6 ESP	X

RADIO



				Electronic limit switch system	Function Back IMPULSE Back RELEASE
	Without Manual Override	T5 HZ.02	T6 HZ.02	X	
	With Manual Override 	DMI5 HZ.01	DMI6 HZ.01		
	ESPS	T5 ESPHZ	T6 ESPHZ	X	X

MOTOR - Ø50



◦ T5 ESPHZ MOTORS



- MOTOR WITH BUILT-IN SIMU-HZ RADIO RECEIVER
- ELECTRONIC LIMIT SWITCH SYSTEM
- REMOTE SETTING OF THE BOTTOM LIMIT SWITCH FROM A SIMU-HZ TRANSMITTER (EXCEPT FOR SEQUENTIAL TRANSMITTER).
- AUTOMATIC SETTING OF THE TOP LIMIT SWITCH BY ELECTRONIC DETECTION OF THE STOP.
- INTERMEDIATE POSITION FUNCTION AND POSSIBILITY FOR THE USER TO SET A FAVOURITE POSITION.
- BACK IMPULSE FUNCTION: ONCE THE BLIND HAS BEEN EXTENDED, THE MOTOR REVERSES SLIGHTLY (MAX. HALF A TURN) TO ENSURE PERFECT TENSIONING OF THE FABRIC.
- BACK RELEASE FUNCTION: ONCE THE BOX OF THE CASSETTE BLIND IS CLOSED, THE MOTOR SLIGHTLY RELIEVES THE TENSION IN THE FABRIC TO ENSURE A LONGER SERVICE LIFE.

5 M CABLE

230V / 50 Hz power supply - black RNF cable - 5 m cable

DESCRIPTION	TORQUE	SPEED	POWER	CURRENT	La	Lb	Lc	WEIGHT	x1	REFERENCE x10	x100
T5ESPHz 10/17	10 Nm	17 rpm	120 W	0.5 A	585 mm	598 mm	621 mm	2 kg	2009696	2009701	-
T5ESPHz 15/17	15 Nm	17 rpm	140 W	0.65 A	585 mm	598 mm	621 mm	2.13 kg	2009697	2009702	-
T5ESPHz 25/17	25 Nm	17 rpm	170 W	0.8 A	659 mm	672 mm	695 mm	2.46 kg	2009698	2009703	-
T5ESPHz 35/17	35 Nm	17 rpm	240 W	1.1 A	659 mm	672 mm	695 mm	2.73 kg	2009699	2009704	-
T5ESPHz 50/12	50 Nm	12 rpm	240 W	1.1 A	659 mm	672 mm	695 mm	2.75 kg	2009700	2009705	-

◦ T5 ESP MOTORS

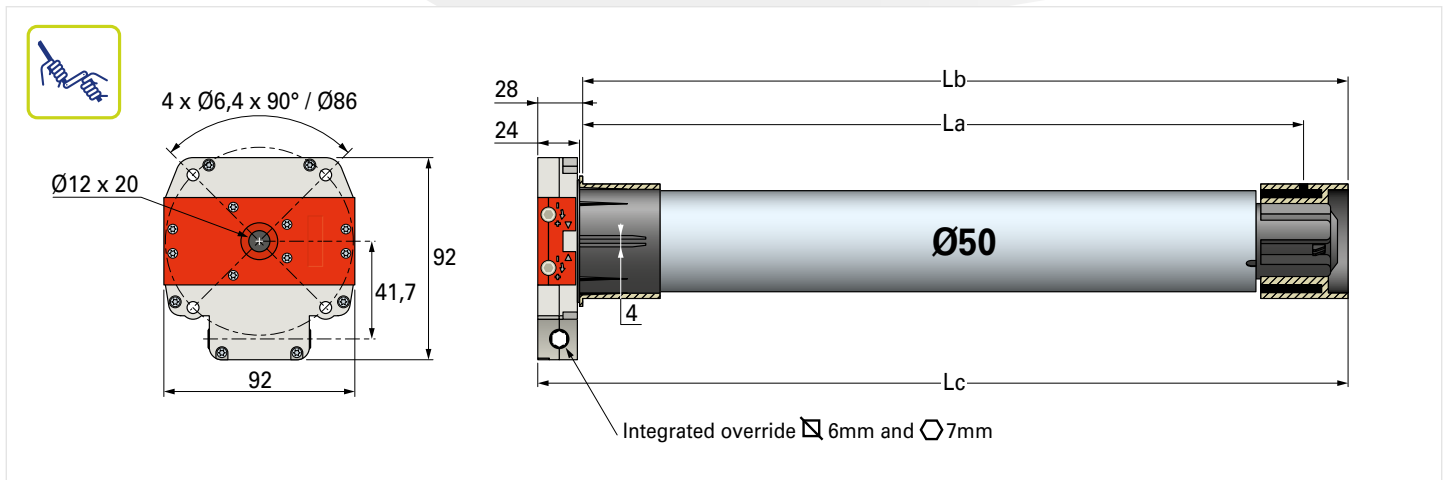
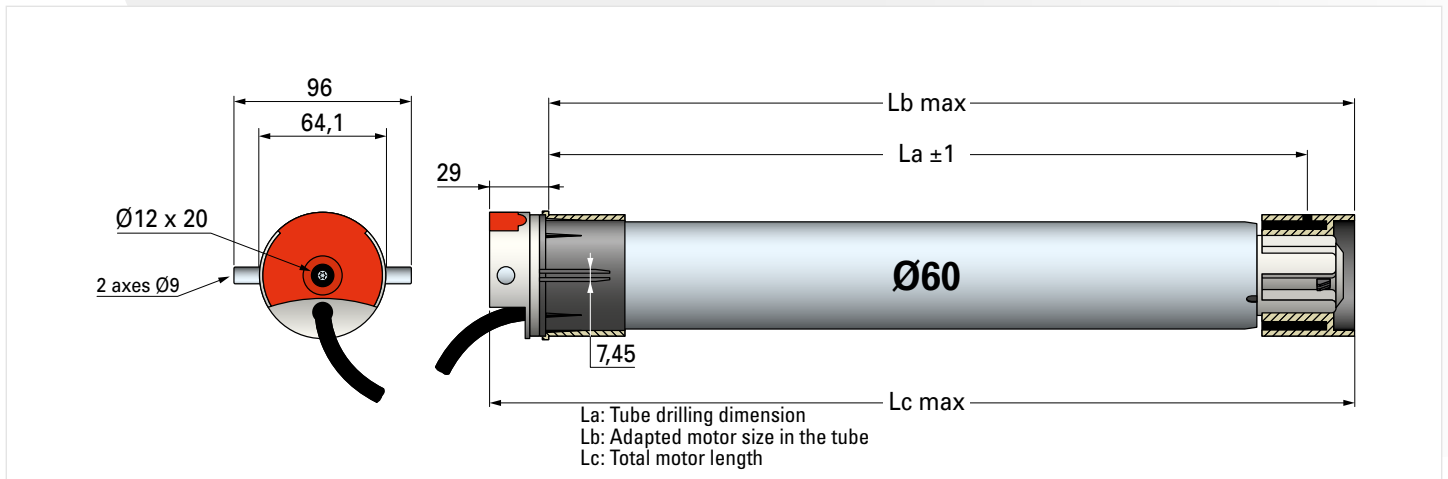
- ELECTRONIC LIMIT SWITCH SYSTEM
- REMOTE SETTING OF THE BOTTOM LIMIT SWITCH FROM A SPECIFIC SETTING SWITCH.
- AUTOMATIC SETTING OF THE TOP LIMIT SWITCH BY ELECTRONIC DETECTION OF THE STOP.

5 M CABLE

230V / 50Hz power supply - black RNF cable - 5 m cable

DESCRIPTION	TORQUE	SPEED	POWER	CURRENT	La	Lb	Lc	WEIGHT	x1	REFERENCE x10	x100
T5ESP 10/17	10 Nm	17 rpm	120 W	0.5 A	585 mm	598 mm	621 mm	2.01 kg	2009686	2009691	-
T5ESP 15/17	15 Nm	17 rpm	140 W	0.65 A	585 mm	598 mm	621 mm	2.14 kg	2009687	2009692	-
T5ESP 25/17	25 Nm	17 rpm	170 W	0.8 A	659 mm	672 mm	695 mm	2.47 kg	2009688	2009693	-
T5ESP 35/17	35 Nm	17 rpm	240 W	1.1 A	659 mm	672 mm	695 mm	2.52 kg	2009689	2009694	-
T5ESP 50/12	50 Nm	12 rpm	240 W	1.1A	659 mm	672 mm	695 mm	2.54 kg	2009690	2009695	-

MOTOR - Ø60



◉ T6 ESP HZ MOTORS

- MOTOR WITH BUILT-IN SIMU-HZ RADIO RECEIVER
- ELECTRONIC LIMIT SWITCH SYSTEM
- REMOTE SETTING OF THE BOTTOM LIMIT SWITCH FROM A SIMU-HZ TRANSMITTER (EXCEPT FOR SEQUENTIAL TRANSMITTER).
- AUTOMATIC SETTING OF THE TOP LIMIT SWITCH BY ELECTRONIC DETECTION OF THE STOP.
- INTERMEDIATE POSITION FUNCTION AND POSSIBILITY FOR THE USER TO SET A FAVOURITE POSITION.
- BACK IMPULSE FUNCTION: ONCE THE BLIND HAS BEEN EXTENDED, THE MOTOR REVERSES SLIGHTLY (MAX. HALF A TURN) TO ENSURE PERFECT TENSIONING OF THE FABRIC.
- BACK RELEASE FUNCTION: ONCE THE BOX OF THE CASSETTE BLIND IS CLOSED, THE MOTOR SLIGHTLY RELIEVES THE TENSION IN THE FABRIC TO ENSURE A LONGER SERVICE LIFE.

230V / 50 Hz power supply - black RNF cable - 5 m cable

5 M CABLE

DESCRIPTION	TORQUE	SPEED	POWER	CURRENT	La	Lb	Lc	WEIGHT	x1	REFERENCE	x10	x100
T6ESPhz 55/17	55 Nm	17 rpm	290 W	1.25 A	716 mm	729 mm	758 mm	4.7 kg	2009682	-	-	
T6ESPhz 70/17	70 Nm	17 rpm	350 W	1.5 A	716 mm	729 mm	758 mm	5 kg	2009683	-	-	
T6ESPhz 85/17	85 Nm	17 rpm	400 W	1.8 A	716 mm	729 mm	758 mm	5.3 kg	2009684	-	-	
T6ESPhz 120/12	120 Nm	12 rpm	400 W	1.8 A	716 mm	729 mm	758 mm	5.5 kg	2009685	-	-	

◦ DMI6 HZ.01 MOTORS

- MOTOR WITH BUILT-IN SIMU-HZ RADIO RECEIVER
- BUILT-IN MANUAL OVERRIDE
- PROGRESSIVE LIMIT SWITCH SYSTEM
- SETTING THE TOP AND BOTTOM LIMIT SWITCHES ON THE MOTOR HEAD.
- COMPACT MOTOR HEAD



2.5 M CABLE

230V / 50Hz power supply - black RNF cable - 2.5 m cable

DESCRIPTION	TORQUE	SPEED	POWER	CURRENT	La	Lb	Lc	WEIGHT	x1	REFERENCE	x10	x100
DMI6 60/12 Hz	60 Nm	12 rpm	240 W	1.05 A	836 mm	849 mm	878 mm	5.4 kg	2009492	-	-	
DMI6 Hz 80/12	80 Nm	12 rpm	290 W	1.25 A	836 mm	849 mm	878 mm	5.7 kg	2009493	-	-	
DMI6 Hz 100/12	100 Nm	12 rpm	350 W	1.5 A	836 mm	849 mm	878 mm	6 kg	2009494	-	-	
DMI6 Hz. 120/12	120 Nm	12 rpm	400 W	1.8 A	836 mm	849 mm	878 mm	6.2 kg	2009495	-	-	

◦ T6 HZ.02 MOTORS

- MOTOR WITH BUILT-IN SIMU-HZ RADIO RECEIVER
- ELECTRONIC LIMIT SWITCH SYSTEM
- REMOTE SETTING OF THE TOP AND BOTTOM LIMIT SWITCHES FROM A SIMU-HZ TRANSMITTER (EXCEPT FOR SEQUENTIAL TRANSMITTER).
- INTERMEDIATE POSITION FUNCTION: POSSIBILITY FOR THE USER TO SET A FAVOURITE POSITION.

2.5 M CABLE

230V / 50Hz power supply - black RNF cable - 2.5 m cable

DESCRIPTION	TORQUE	SPEED	POWER	CURRENT	La	Lb	Lc	WEIGHT	x1	REFERENCE	x10	x100
T6Hz.02 - 60/12	60 Nm	12 rpm	240 W	1.05 A	716 mm	729 mm	758 mm	4.7 kg	2009484	-	-	
T6Hz.02 - 80/12	80 Nm	12 rpm	290 W	1.25 A	716 mm	729 mm	758 mm	5 kg	2009485	-	-	
T6Hz.02 - 100/12	100 Nm	12 rpm	350 W	1.5 A	716 mm	729 mm	758 mm	5.3 kg	2009486	-	-	
T6Hz.02 - 120/12	120 Nm	12 rpm	400 W	1.8 A	716 mm	729 mm	758 mm	5.5 kg	2009487	-	-	

◦ T6 ESP MOTORS

- ELECTRONIC LIMIT SWITCH SYSTEM
- REMOTE SETTING OF THE BOTTOM LIMIT SWITCH FROM A SPECIFIC SETTING SWITCH.
- AUTOMATIC SETTING OF THE TOP LIMIT SWITCH BY ELECTRONIC DETECTION OF THE STOP.

5 M CABLE

230V / 50Hz power supply - black RNF cable - 5 m cable

DESCRIPTION	TORQUE	SPEED	POWER	CURRENT	La	Lb	Lc	WEIGHT	x1	REFERENCE	x10	x100
T6ESP 55/17	55 Nm	17 rpm	290 W	1.25 A	716 mm	729 mm	758 mm	4.7 kg	2009678	-	-	
T6ESP 70/17	70 Nm	17 rpm	350 W	1.5 A	716 mm	729 mm	758 mm	5 kg	2009679	-	-	
T6ESP 85/17	85 Nm	17 rpm	400 W	1.8 A	716 mm	729 mm	758 mm	5.3 kg	2009680	-	-	
T6ESP 120/12	120 Nm	12 rpm	400 W	1.8 A	716 mm	729 mm	758 mm	5.5 kg	2009681	-	-	

◦ DMI6 MOTORS

- BUILT-IN MANUAL OVERRIDE
- PROGRESSIVE LIMIT SWITCH SYSTEM
- SETTING THE TOP AND BOTTOM LIMIT SWITCHES ON THE MOTOR HEAD



2.5 M CABLE

230V / 50Hz power supply - black RNF cable - 2.5 m cable

DESCRIPTION	TORQUE	SPEED	POWER	CURRENT	La	Lb	Lc	WEIGHT	x1	REFERENCE	x10	x100
DMI6 60/12	60 Nm	12 rpm	240 W	1.05 A	662 mm	675 mm	704 mm	4.63 kg	2009488	-	-	
DMI6 80/12	80 Nm	12 rpm	290 W	1.25 A	662 mm	675 mm	704 mm	4.85 kg	2009489	-	-	
DMI6 100/12	100 Nm	12 rpm	350 W	1.5 A	662 mm	675 mm	704 mm	5.17 kg	2009490	-	-	
DMI6 120/12	120 Nm	12 rpm	400 W	1.8 A	662 mm	675 mm	704 mm	5.38 kg	2009491	-	-	

◉ T6 MOTORS

- PROGRESSIVE LIMIT SWITCH SYSTEM

- SETTING THE TOP AND BOTTOM LIMIT SWITCHES ON THE MOTOR HEAD

2.5 M (CABLE)

230V / 50Hz power supply - black RNF cable - 2.5 m cable

DESCRIPTION	TORQUE	SPEED	POWER	CURRENT	La	Lb	Lc	WEIGHT	REFERENCE		
									x1	x10	x100
T6 - 60/12	60 Nm	12 rpm	240 W	1.05 A	676 mm	689 mm	718 mm	4.43 kg	2009480	-	-
T6 - 80/12	80 Nm	12 rpm	290 W	1.25 A	676 mm	689 mm	718 mm	4.64 kg	2009481	-	-
T6 - 100/12	100 Nm	12 rpm	350 W	1.5 A	676 mm	689 mm	718 mm	4.97 kg	2009482	-	-
T6 - 120/12	120 Nm	12 rpm	400 W	1.8 A	676 mm	689 mm	718 mm	5.17 kg	2009483	-	-

COMPATIBLE TRANSMITTERS AND CONTROLLERS



TO CONTROL YOUR WIRED BLIND



STANDARD PM3 SWITCH



APEM SINGLE-POLE AND DOUBLE-POLE MECHANISMS

TO CONTROL OF YOUR RADIO-CONTROLLED BLIND



WALL TRANSMITTER 1 CHANNEL



SEQUENTIAL WALL TRANSMITTER



REMOTE CONTROL 1 CHANNEL



REMOTE CONTROL 5 CHANNELS



POWER SUPPLY: 230V - 50 Hz



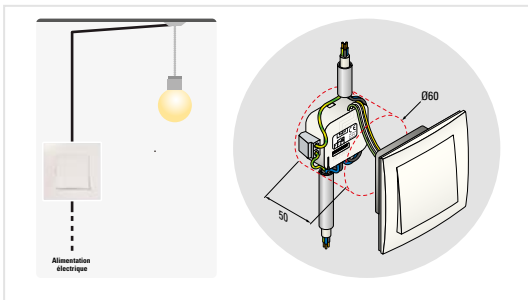
HZ MICRO RECEIVER FOR LIGHTING
Ref. 2008193



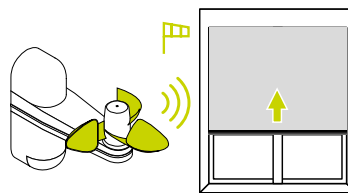
EOSUN-Hz
Ref. 2005778



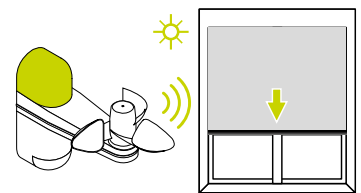
HZ SUN MOBILE TRANSMITTER 1 CHANNEL
Ref. 2008826



Activation in case of WIND:



Activation in case of SUNSHINE:



SIMU

ZONE INDUSTRIELLE LES GIRANUX
70100 ARC-LÈS-GRAY
FRANCE

www.simu.com

