



Committed to **you**

GARAGE DOORS  
& INDUSTRIAL DOORS

## SEQUENTIAL HZ WALL SWITCH 3 CHANNELS



### CONTROL EQUIPMENTS FROM INSIDE OR OUTSIDE

- Control your rolling or sectionnal garage door in sequential mode.
- **CONFORT:** 3 buttons = 3 equipments (garage door, light, gate opener...).
- **INTERNAL OR EXTERNAL USE:** thanks to its IP55 and its modern and design.
- **EASY TO INSTALL:**
  - No wiring.
  - Sized like a regular wall switch.
- **COMPATIBLE WITH:**
  - SD100HZ control board for rolling garage door.
  - GM motor range for sectionnal garage door.
  - HZ lighting micro-receiver.

# TECHNICAL SPECIFICATION

**PRODUCT CLASS:** III

**POWER SUPPLY:** 3V – CR2430 battery

**OPERATING TEMPERATURE:** -20°C to +60°C

**INDEX OF PROTECTION:** 55

**WEIGHT:** 47g

**MOUNTING:** Surface


**OPERATING MODE:** Sequential

**RADIO RANGE:** 30meters

**RADIO FREQUENCY:** Hz 433,42MHz – one way

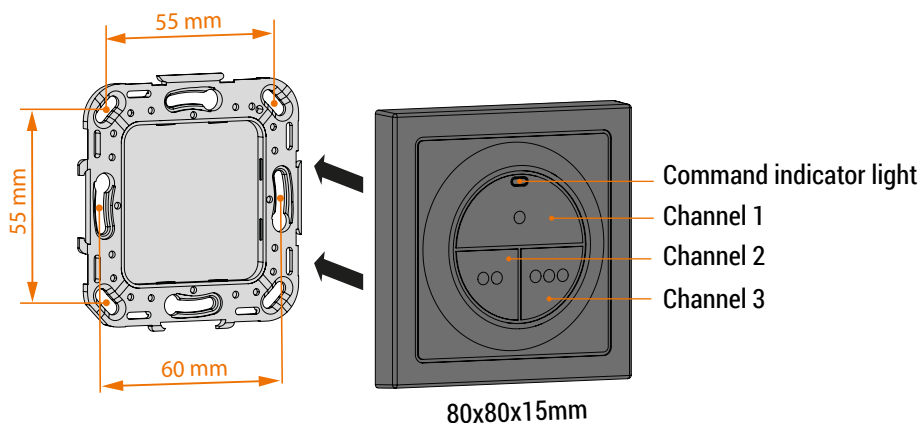
**NUMBER OF CHANNELS:** 3

**DIMENSIONS:** 80x80x15mm

HOMOLOGATIONS :   

# REFERENCE

DESCRIPTION	REFERENCE
SEQUENTIAL HZ WALL SWITCH 3C	2009766



## USE:

- Individual command only.
- **No group or general command.**
- Cannot be used for end limit setting.

## COMPATIBILITY:

- SD100HZ control board for rolling garage door.
- GM motor range for sectionnal garage door.
- HZ lighting micro-receiver.

## TIPS:

- This wall switch can also control awnings equipped with SIMU Hz motors.



**SIMU**

ZONE INDUSTRIELLE LES GIRANUX  
 70100 ARC-LÈS-GRAY  
 FRANCE

[www.simu.com](http://www.simu.com)

