



## TUBULAR MOTORS **T3.5Hz02**

### RADIO ELECTRONIC, Ø 40 MM

NEW DESIGN OF THE MOTOR LIMIT SWITCH UNIT  
for a better quality  
NEW MOTOR LENGTH  
shorter than previously

NEW



**simu-Hz**  
technology

MOTOR WITH BUILT-IN SIMU-Hz RADIO RECEIVER

ELECTRONIC END-LIMIT SYSTEM

REMOTE SETTING OF THE UP AND DOWN END-LIMITS  
...from a SIMU-Hz transmitter (excepted a sequential Hz transmitter).

INTERMEDIATE POSITION FUNCTION  
...it is possible to record a user's favorite position.

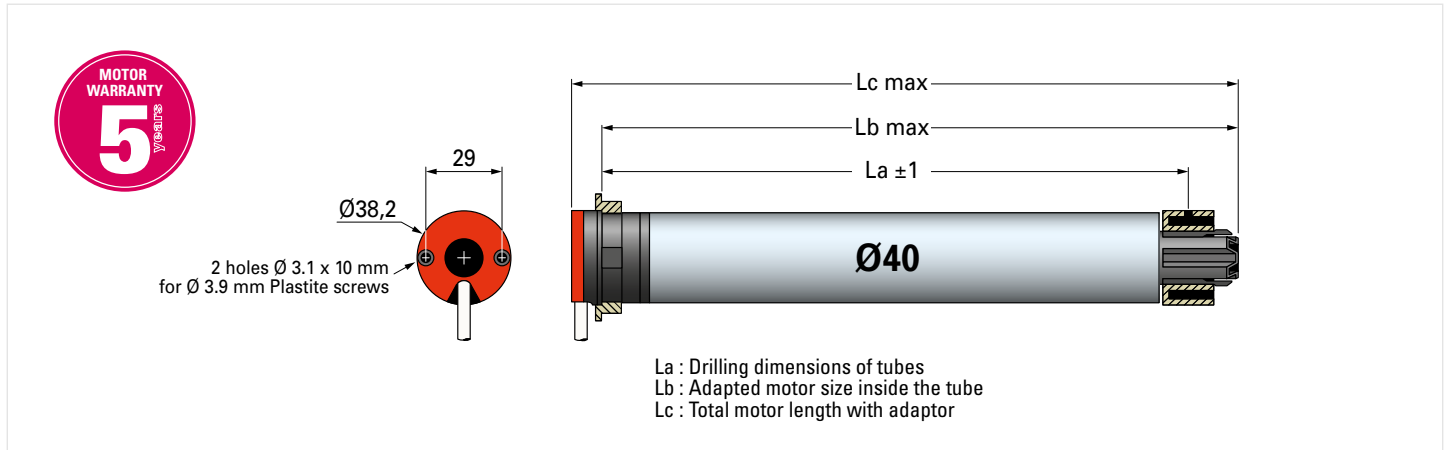
CLASSE II MOTOR  
...no earth connection required.

COMPATIBILITY  
...with all control points and wind/sun sensors from the SIMU-Hz range.

MULTIPURPOSE  
...can be adapted to any type of application: roller shutters, screens, valances, lateral arm awnings.

MOTOR PROTECTION  
...if the crown does not turn, the motor stops itself.

## DIMENSIONS T3.5Hz02






## MOTOR RANGE T3.5Hz02

POWER SUPPLY 230V - 50 Hz - White cable 3 meters

DESCRIPTION	TORQUE	SPEED	POWER	CURRENT	La	Lb	Lc	WEIGHT	x1	REFERENCES x10	x100
T3.5Hz02	3Nm	30rpm	90W	0.42A	472mm	495mm	510mm	1.17kg	2008657	2008658	-
T3.5Hz02	4Nm	16rpm.	80W	0.35A	437mm	460mm	475mm	1.11kg	2008659	2008660	-
T3.5Hz02	9Nm	16rpm	110W	0.5A	472mm	495mm	510mm	1.28kg	2008661	2008662	2008667
T3.5Hz02	13Nm	10rpm	110W	0.5A	472mm	495mm	510mm	1.28kg	2008663	2008664	-

## TECHNICAL CHARACTERISTICS T3.5Hz02

- POWER SUPPLY** 230 Volts - 50 Hz
- THERMAL CUT-OUT** 4 minutes
- END-LIMIT** Electronic system with operating limited to 3 min.
- PROTECTION INDEX** IP 44
- POWER CABLE** cable white 3 meters (2x0.75mm<sup>2</sup> wires, white H05 VVF).  
But also version with black or white in 3, 5 and 10 meters for some torques. Consult us.
- RADIO FREQUENCY** 433.42 MHz
- SECURE COMMUNICATION** Encrypted control orders  
+ Rolling code with 16 million possible combinations
- RANGE** **wall remote control:** ~150 meters in open field and ~15 meters through 2 reinforced concrete walls  
**mobile transmitter:** ~200 meters in open field and ~20 meters through 2 reinforced concrete walls  
The range may vary depending on the environment and on the radio pollution.
- 4 CYCLES PER DAY** non consecutive
- INSULATION CLASS** Class II motor
- COMPLIANCE** European standards (EN) + IEC standards (international standards)
- CERTIFICATIONS**  
- & STANDARD** 

Visit our website: [www.simu.com](http://www.simu.com)



E-catalogue



Manuals



Videos



Recommendations



FAQ

Visit our Youtube channel:  YouTube

