

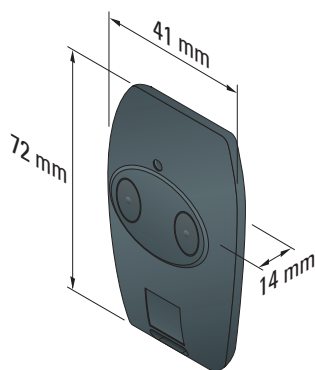


### 2 CHANNEL REMOTE CONTROL

To control up to 2 systems in sequential mode  
ex: 1 receivers for roller garage door and 1 light

DESCRIPTION	REFERENCE
<b>TSA 2 remote control</b>	<b>2005326</b>

## SPECIFICATION



<b>POWER SUPPLY</b>	3 VDC lithium battery - type CR2032 (supplied)
<b>NUMBER OF CHANNELS</b>	2
<b>PROTECTION INDEX</b>	IP 30
<b>RADIO FREQUENCY</b>	433.42 MHz
<b>PRODUCT CLASS</b>	III
<b>AMBIENT WORKING TEMPERATURE</b>	from -20°C to +60°C
<b>SECURE COMMUNICATION</b>	Encrypted control orders + Rolling code with 16 million possible combinations
<b>RANGE</b>	~ 200 m in free field ~ 20 m between 2 reinforced concrete walls (its depends of the environment and of the radio interference)
<b>WEIGHT</b>	25 g

