

QUICK START GUIDE

SD100Hz RADIO CONTROL BOARD

FOR
ROLLING GARAGE DOORS



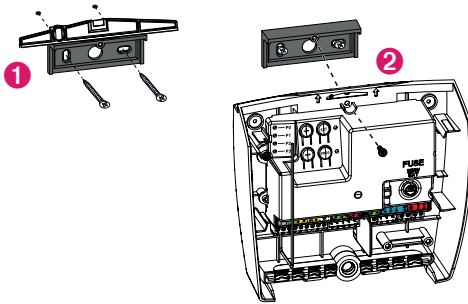
SIMU-HZ[®]
technology



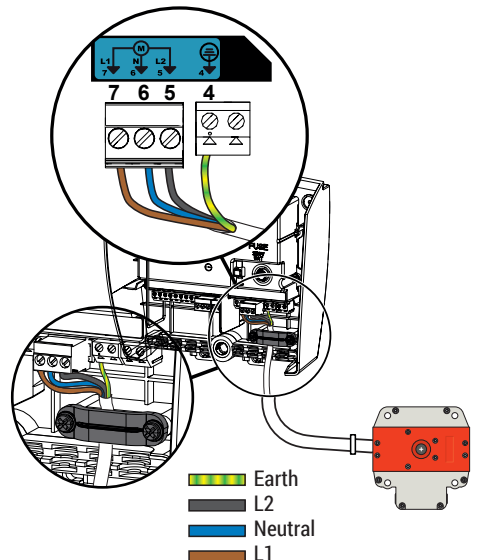
- **SYSTEM:** Single-phase control board designed to radio control rolling garage door equipped with a SIMU motor with 1100W power maximum, an optical safety edge and photocells.

◦ INSTALLATION

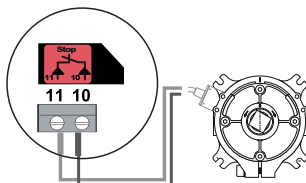
Receiver installation



Motor wiring

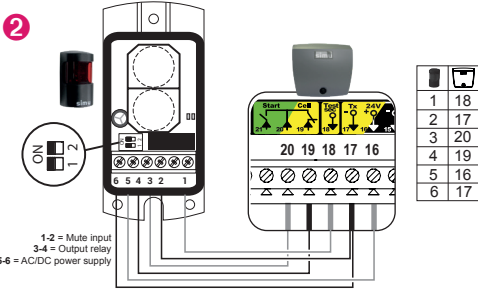
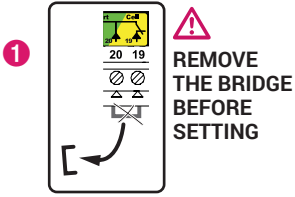


Safety brake wiring

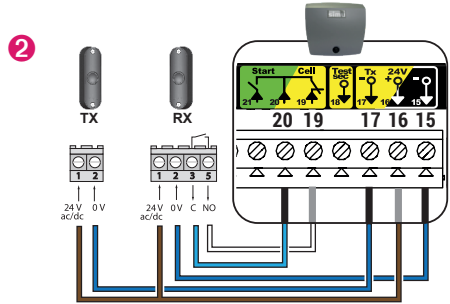
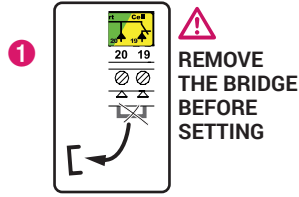


**SAFETY BRAKE WIRING
IS COMPULSORY**

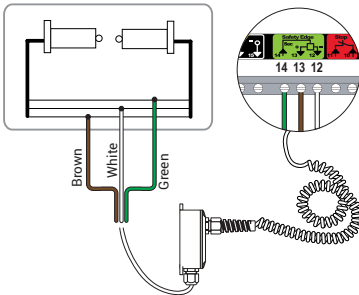
REFLEX PHOTOCELL wiring



PHOTOCELL BARRIER wiring

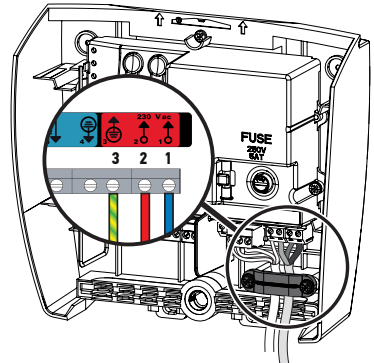


OPTICAL safety edge wiring



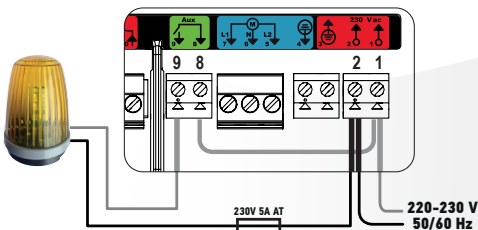
SAFETY EDGE WIRING IS COMPULSORY

Power supply wiring

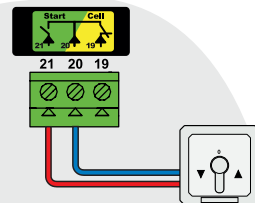


220-230 V
50/60 Hz

Flashing light wiring - 230V



Key switch wiring



◦ SETTINGS

To enter setting mode, push SET during 0,5 s.


→ P0 flashes once

Push on « + » or « - » to change the parameter value.


Push SET to move to the next parameter. To get out the setting mode, push SET during 2 s.

→ Setting leds switch off.


Sequential operating mode setting

P0 → 1 

Flashing light setting

P1 → 1 

OPTICAL safety edge setting

P2 → 1 

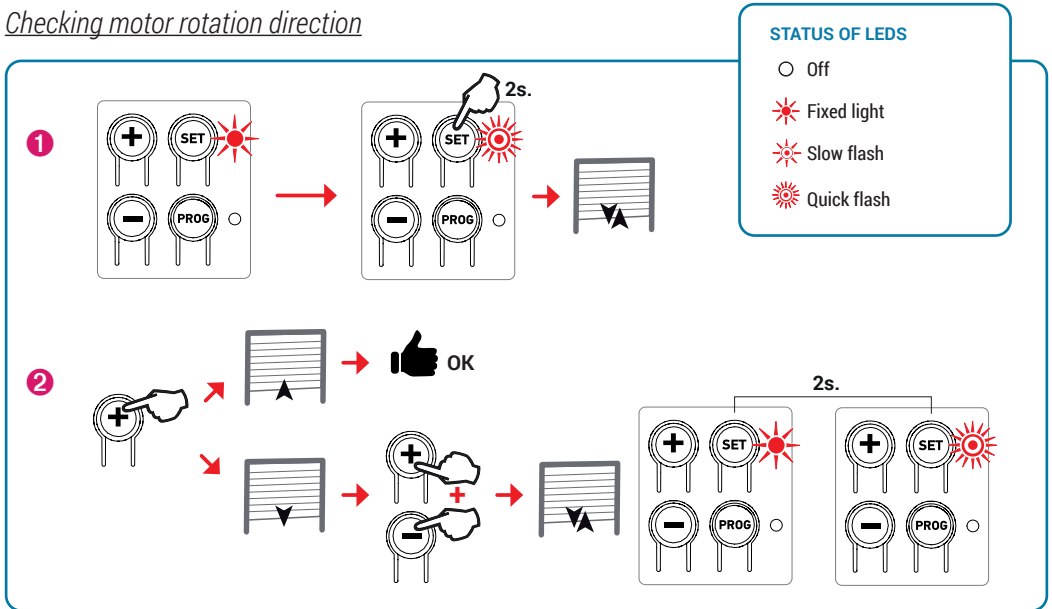
PHOTOCELL BARRIER setting

P3 → 2  

REFLEX PHOTOCELL setting

P3 → 3   

Checking motor rotation direction

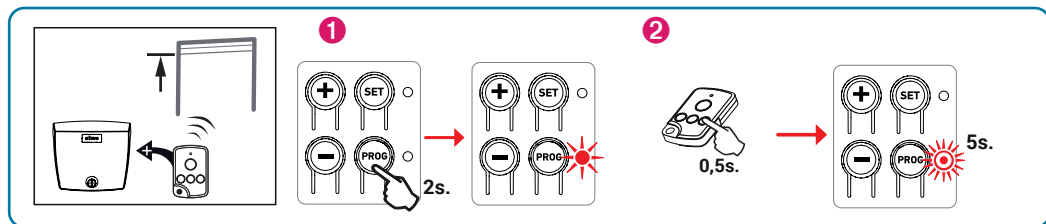


End limit setting

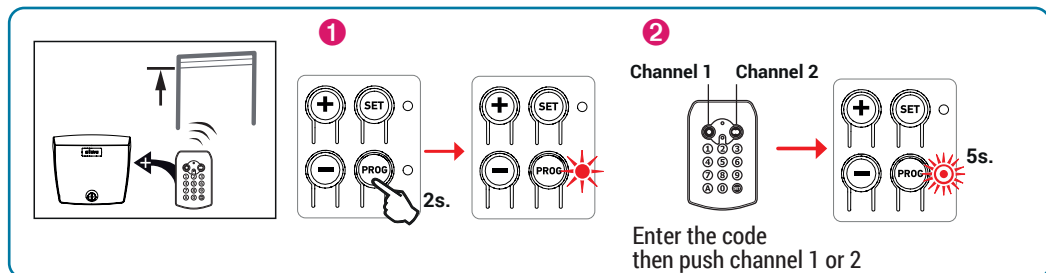
Consult motor installation guide.

Then validate settings pushing SET during 2 s.

Memorising remote controls



Memorising keypad



◦ CHECK DOOR CONFORMITY

Check that the installation answers all the standard needs of your country.



SIMU

ZONE INDUSTRIELLE LES GIRANUX
70100 ARC-LÈS-GRAY
FRANCE

www.simu.com

