

OTHER RECEIVER

SA Hz STANDARD RECEIVER

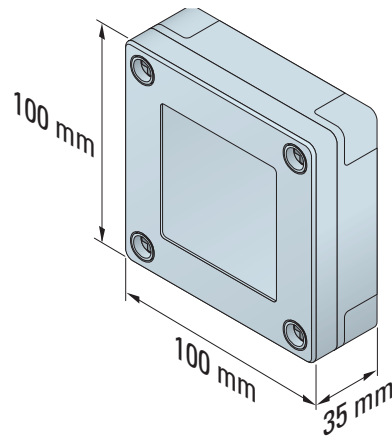


USE:

- This receiver allows you to make compatible one or two wired or radio automations (automation for a gate, for example) with the SIMU-Hz radio control and to control them with the remote TSA+, TSA2, the SA Hz keypad and all transmitters from the SIMU-Hz range.

DESCRIPTION	REFERENCE
SA Hz standard receiver	2006380

SPECIFICATION



POWER SUPPLY	24 VDC / 3 A and 24 VAC / 3 A
PROTECTION INDEX	IP 66
RADIO FREQUENCY	433.42 MHz
AMBIENT TEMPERATURE OF USE	- 20°C to + 70°C
SECURE COMMUNICATION	Encrypted control orders + Rolling code with 16 million possible combinations
WIRING	2x0.75mm ² wires, H05 RRF
NUMBER OF RELAYS	2
NUMBER OF CHANNELS	Possibility to memorize 16 channels per relay, i.e. 32 channels

