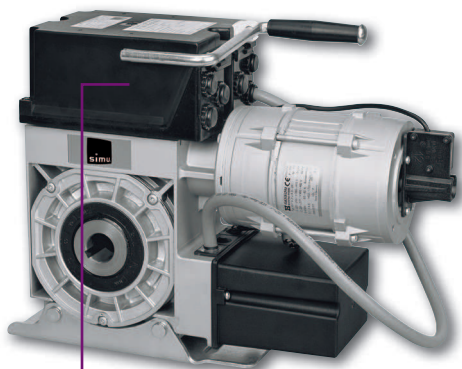


SIMUBOX SI MOTORS

THREE-PHASE WITH BUILT-IN SAFETY BRAKE

FOR ROLLING DOORS

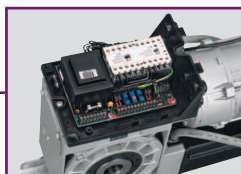


TORQUE RANGE FROM 250 TO 1000Nm

...to lift doors over 800kg!

BUILT-IN SAFETY BRAKE

...with automatic operation in case of wheel or worm screw failure.



Fully equipped motor!

Integrated and pre-wired removable control box.



All SIMUBOX SI motors are supplied with short crank for manual override.

RANGE

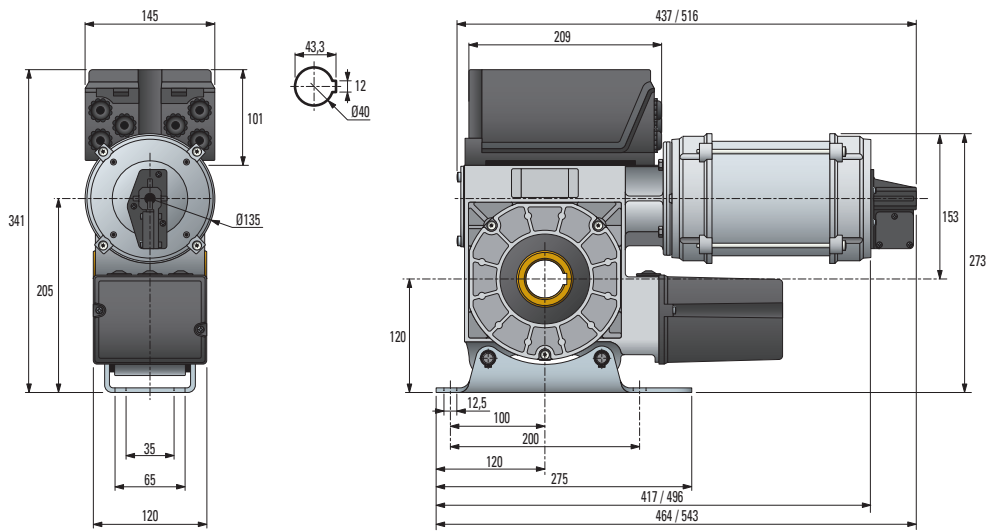
THREE PHASE POWER SUPPLY 230/400V - 50 Hz



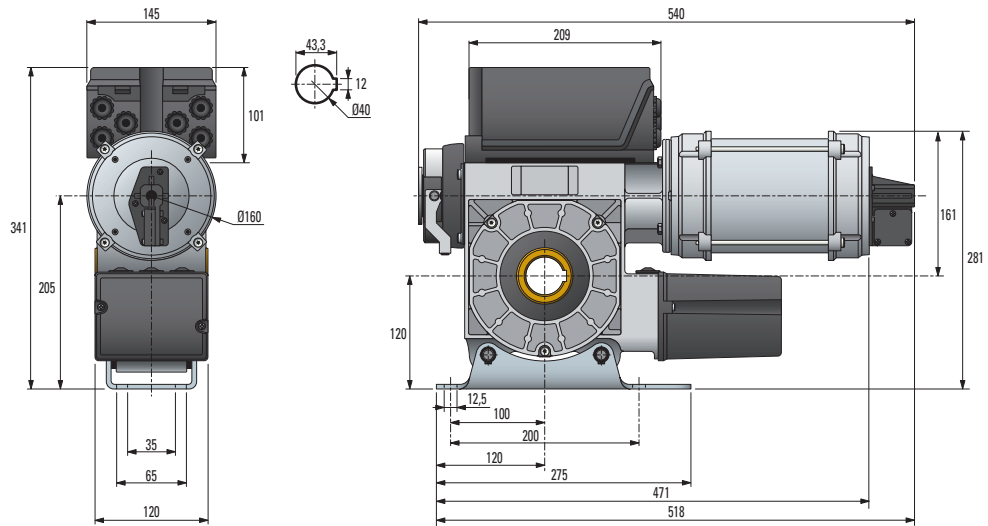
DESCRIPTION	TORQUE	SPEED	POWER	CURRENT	STOP TORQUE OF THE SAFETY BRAKE	Ø HOLLOW SHAFT	WEIGHT	REFERENCE
SIMUBOX SI 250.15	250 Nm	15 rpm	400 W	3.1 A 1.8 A	635 Nm	30 mm	21 kg	2004885
SIMUBOX SI 400.15	400 Nm	15 rpm	1100 W	4.6 A 2.7 A	1020 Nm	40 mm	28 kg	2004886
SIMUBOX SI 550.15	550 Nm	15 rpm	1100 W	7.3 A 4.2 A	1400 Nm	40 mm	30 kg	2004887
SIMUBOX SI 750.15	750 Nm	15 rpm	1100 W	7.1 A 4.1 A	2840 Nm	55 mm	47 kg	2004888
SIMUBOX SI 1000.10	1000 Nm	10 rpm	1300 W	7.8 A 4.5 A	2840 Nm	55 mm	49 kg	2004889

DIMENSIONS

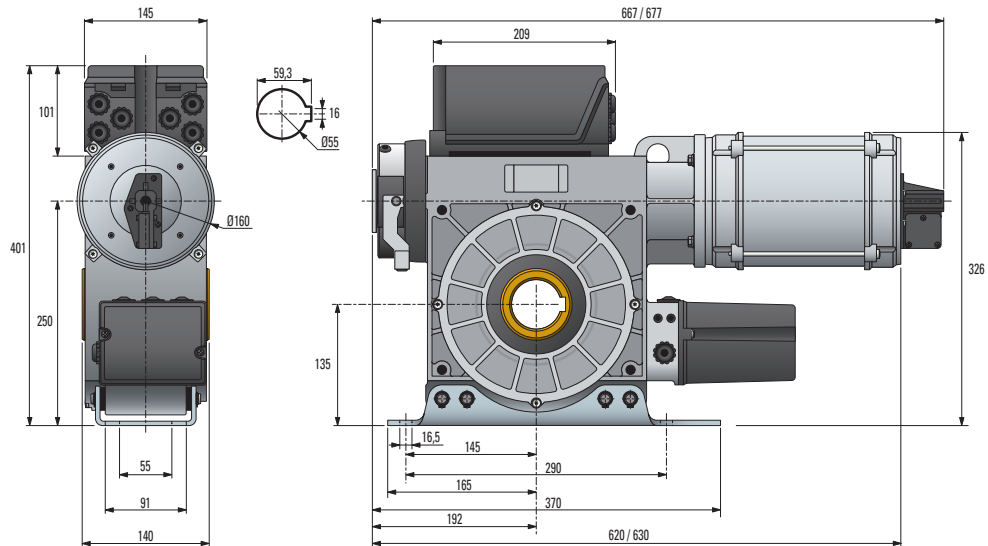
250Nm and 400Nm



550Nm



750Nm and 1000Nm



SPECIFICATION

POWER SUPPLY	3 x 230/400 V – 50 Hz
WORKING TIME	6 min. ON - 11 min. OFF
PROTECTION INDEX OF THE CONTROL BOX	IP 54
END LIMIT CAPACITY	20 rounds
PROGRESSIVE END-LIMIT WITH 6 SWITCHES	- 2 standard end-limits - 2 security end-limits - 2 additional end-limits
REMOVABLE WATERPROOF CONTROL BOX	with 6 cable entries
CONTROL BOX POWER SUPPLY	24 VAC – 50 Hz
CABLE	0.7m length, supplied with the motor
PUSH BUTTON	open - close – stop
PROTECTION OF THE CIRCUIT	by fuse
DIFFERENT POSSIBILITIES OF CONNECTION	for control switch, emergency switch, radio, and external security accessories.
MAXIMUM NUMBER OF CYCLES	SIMUBOX SI 250 = 20 per hour SIMUBOX SI 400 = 16 per hour SIMUBOX SI 550 = 16 per hour SIMUBOX SI 750 = 14 per hour SIMUBOX SI 1000 = 12 per hour

CONTROL BOX

TYPE OF CONTROL	WIRED CONTROL WITHOUT SAFETY ACCESSORY	
Operating mode	OPENING and CLOSING in deadman mode OPENING in deadman mode and CLOSING in Auto maintained mode OPENING and CLOSING in Auto maintained mode	
Control box		
Control points	 Key switch or wired switch (pages 90 and 92)	
Safety accessories	 Optical safety edge (page 114)	 Photocell barrier (page 116, 117)

ATTENTION

Safety action: it stops the motor instantly when a safety accessory detects an obstacle (no reversal of the motor direction).