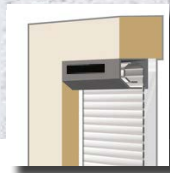


# SOLAR MOTORIZATION

## AUTOSUN 2



RENO



TRADI



TUNNEL



CWS

  
**SIMU-Hz**<sup>®</sup>  
technology

### THE SOLAR SOLUTION 100% AUTONOMOUS, WITHOUT WORK

- **Autonomous motorization system** for roof and facade roller shutters, operating with solar energy, a **free, clean and renewable energy**.
- **No wiring:** AUTOSUN does not need to be connected neither to the electrical network nor to control points (SIMU-Hz radio technology), which means no degradation of interior walls.
- **Optimized outputs:** AUTOSUN has been designed to run in most geographical area.
- **Autonomy of the system:** 15 days without sun, 2 cycles per day.

### NEWS 2017

- New motor, with more intelligence, for a simple integration and installation!
- A wide range of batteries.
- A new battery charger.
- Compatible with sequential & functional transmitters.



FRENCH  
MOTORIZATION

  
*Committed to you*

# THE SOLAR SOLUTION INCLUDING A MOTOR T3.5 E HZ DC, A SOLAR PANEL AND A BATTERY

## MOTOR T3.5 E HZ DC



- Radio technology **simu-Hz** technology
- Adjustment of the end-limits: automatic, semi-automatic, manual
- STOP ON OBSTACLE function: the motor will stop during the closing if it meets an obstacle.
- FROST DETECTION function: the motor will stop during the opening if the shutter curtain is stuck in the guide rails by frost or if the bottom lath is locked.
- INTERMEDIARY POSITION: which can be adjusted to the user's need. Push "STOP" button of the transmitter to move the roller shutter to the favorite position.

### NEWS 2017

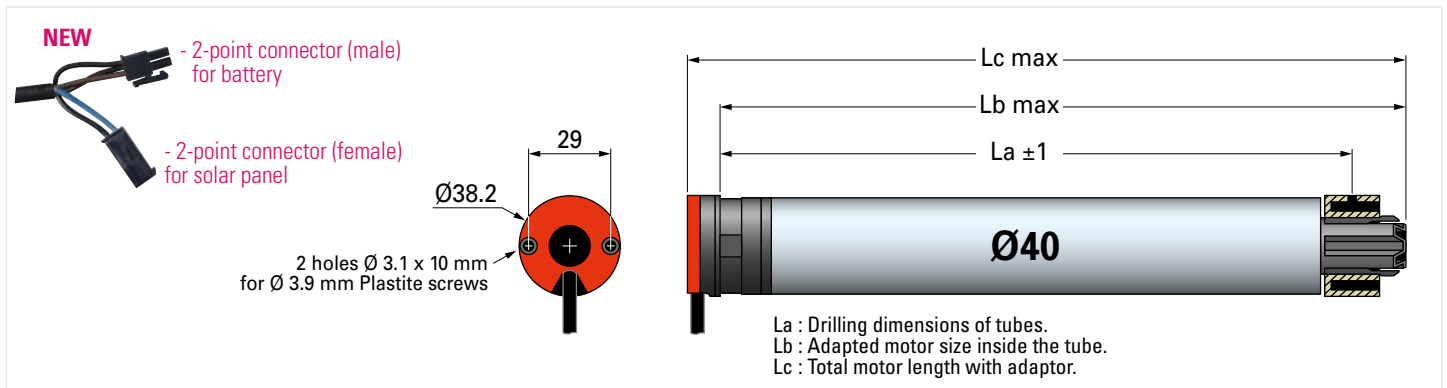
- **Soft start function:** at DOWN end limit.
- **Soft stop function:** at UP & DOWN end limit.
- **Compatible with all SIMU Hz transmitters and automatic devices,** including Hz sequential transmitter and Hz SUN sensor.
- **Adjustment of the end limit with reduced speed** in manual mode to ease the setting.
- **Motor Sleeping and Waking up modes are directly done from the transmitter,** no need to have access to the battery. The consumption is thus reduced to the minimum for storage or transportation of the roller shutter and the battery charge is then preserved. The motor will be woken up on site directly from the transmitter as well.
- **New motor cable** with 2 connectors 2 points and with mistake-proofing. Reduced size of the connectors to ease the integration inside the side frame.

### REFERENCES

#### POWER SUPPLY 12 VDC

DESCRIPTION	TORQUE	SPEED	POWER	CURRENT	La	Lb	Lc	WEIGHT	x1	REFERENCE x10	x100
T3,5 E Hz DC - 3/23	3Nm	23 rpm	17W	1.4A	433mm	457mm	471mm	0.77kg	2009080	2009083	2009086
T3,5 E Hz DC - 6/18	6Nm	18 rpm	26W	2.2A	433mm	457mm	471mm	0.8kg	2009081	2009084	2009087
T3,5 E Hz DC - 10/12	10Nm	12 rpm	30W	2.4A	433mm	457mm	471mm	0.8kg	2009082	2009085	2009088

### TECHNICAL CHARACTERISTICS



- POWER SUPPLY** 12 Volts
- END-LIMIT** Electronic system with operating limited to 3 min.
- PROTECTION INDEX** IP 44
- POWER CABLE** Long. 0.2 meters, 3x0.75 mm<sup>2</sup> wires, black H05 BBF with two connectors
- SIMU-Hz RADIO FREQUENCY** 433.42 MHz
- SECURE COMMUNICATION** Encrypted control orders  
+ Rolling code with 16 million possible combinations
- RANGE** ~200m in free field and ~20m through 2 reinforced concrete walls
- MOTOR HEAD THICKNESS** 14mm
- END-LIMIT ADJUSTMENT** every 56 cycles during 4 cycles



# BATTERIES



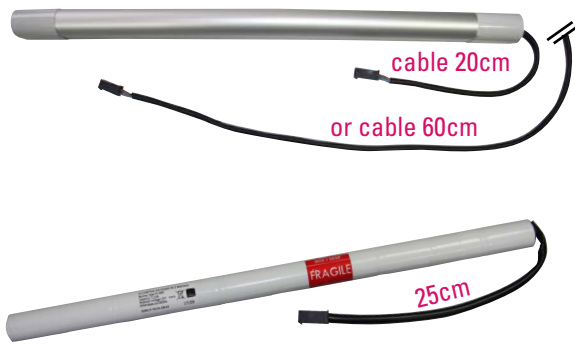
## NEWS 2017

### WIDE RANGE OF BATTERIES TO SUIT AT BEST ALL INSTALLATION

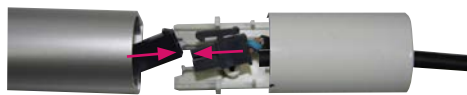
- **1 battery stick with alu cover** and its cable of 20cm.
- **1 battery stick with alu cover** and its cable of 60cm.
- **1 naked battery, without alu cover** and its cable of 25cm. Fixing by pop rivet of the specific brackets and elastics to guarantee the fixing.
- **New connectors:** reduced size of the connector to ease the integration inside the side frame.

## NEWS 2017

- **Battery with alu cover:** possibility to connect and disconnect the battery cable easily without opening the roller shutter box. Indeed, once the plastic cover of the stick is removed you can unplug/plug the battery cable.



### EASY & QUICK DISCONNECTION



INSTALLATION	ADVANTAGES	RECOMMENDED BATTERIES
<b>Battery outside the Roller Shutter box:</b> - Between the guide rail and the wall - Behind the Roller Shutter box	<b>Easy access to the battery for resetting the system or replacement of the battery</b>	- Battery with alu cover and its cable of 20cm. Fixing with adhesive or brackets. - Battery with alu cover and its cable of 60cm. Fixing with adhesive or brackets.
<b>Battery inside the Roller Shutter box</b>	<b>Full integration in factory, nothing to do on site, the roller shutter is ready for use/installation on site.</b>	- Battery with alu cover and its cable of 20cm. Fixing with adhesive or brackets. - Naked battery and its cable of 25cm. Fixing with specific brackets & elastics.

## TECHNICAL CHARACTERISTICS

<b>BATTERY</b>	Ni-MH
<b>NOMINAL VOLTAGE</b>	12V
<b>CAPACITY</b>	2.2 Ah
<b>AMBIENT TEMPERATURE OF USE</b>	from -20°C to +70°C
<b>PROTECTION INDEX</b>	IP X4
<b>LIFETIME</b>	± 8 years
<b>DIMENSIONS &amp; WEIGHT</b>	naked battery 430 x 23.5mm - 520 gr battery stick 503 x 27 x 30mm with the cable of 0.2m - 755 gr battery stick 503 x 27 x 30mm with the cable of 0.6m - 773 gr

## REFERENCES

DESCRIPTION	REFERENCE x 1	REFERENCE x 20
<b>Naked battery</b>	<b>9020808</b>	<b>9020628</b>
<b>Battery stick + cable 20cm</b>	<b>9020632</b>	-
<b>Battery stick + cable 60cm</b>	<b>9020633</b>	-

## BATTERY ACCESSORIES

PRODUCT	DESCRIPTION	REFERENCE x 10	REFERENCE x 40	REFERENCE x 200
	<b>10 brackets kits to fix battery with alu cover</b>	<b>9017661</b>	-	-
	<b>Bracket with elastic to fix naked battery</b>	-	<b>9020630</b>	<b>9020629</b>

# SOLAR PANELS



## NEWS 2017

- **New solar panel with adhesive** to stick it directly on the roller shutter box without making holes



- Solar panel in resin with fixing holes
- Aesthetic design
- 2 possible fixing:
  - Directly on the roller shutter box by pop rivets
  - On the inclined brackets, on the roller shutter box or on the wall to capture more sun.

## TECHNICAL CHARACTERISTICS

- MATERIAL** resin panel
- TYPE OF PANEL** photovoltaics monocristalin
- PROTECTION INDEX** IP X4
- DELIVERED VOLTAGE** 195.8 mA maxi.
- POWER** 3.2 W
- TYPE OF CABLE** Cable of 700mm with 2-point connector type Molex plug (male) and rubber cable-gland for impermeability
- DIMENSIONS** 470 x 60 x 6 mm
- WEIGHT** 230 g

## REFERENCES

DESCRIPTION	REFERENCE x 1	REFERENCE x 10	REFERENCE x 40
Solar panel with holes	9019032	9019031	9018382
Solar panel with adhesive	9020627	9020626	-

## SOLAR PANEL ACCESSORIES

PRODUCT	DESCRIPTION	REFERENCE x 1
	Solar panel bracket	9019683
	Extension cable for solar panel (5m)	9019722

# BATTERY CHARGER



## NEWS 2017

- **New battery charger with 2 plugs:** one for the EU and another one for the US power supply

## TECHNICAL CHARACTERISTICS

- CLASS II** double insulation
- INTENSITY DELIVERED** 800 mA max  $\pm 10\%$
- DIMENSIONS** 118 x 62 x 35 mm
- PROTECTION INDEX** IP 30
- INPUT VOLTAGE** 100-240VCA  $\pm 10\%$ , 50/60Hz
- BATTERY** Ni-MH
- CONNECTORS** 2-point connector Molex (Male) type

## REFERENCES

DESCRIPTION	REFERENCE x 1
Battery charger	9020638

## OPERATING PRINCIPLE

AUTOSUN is a complete system made up of a solar panel, a battery and a DC radio motor with electronic end-limits.

### 1 THE SOLAR PANEL

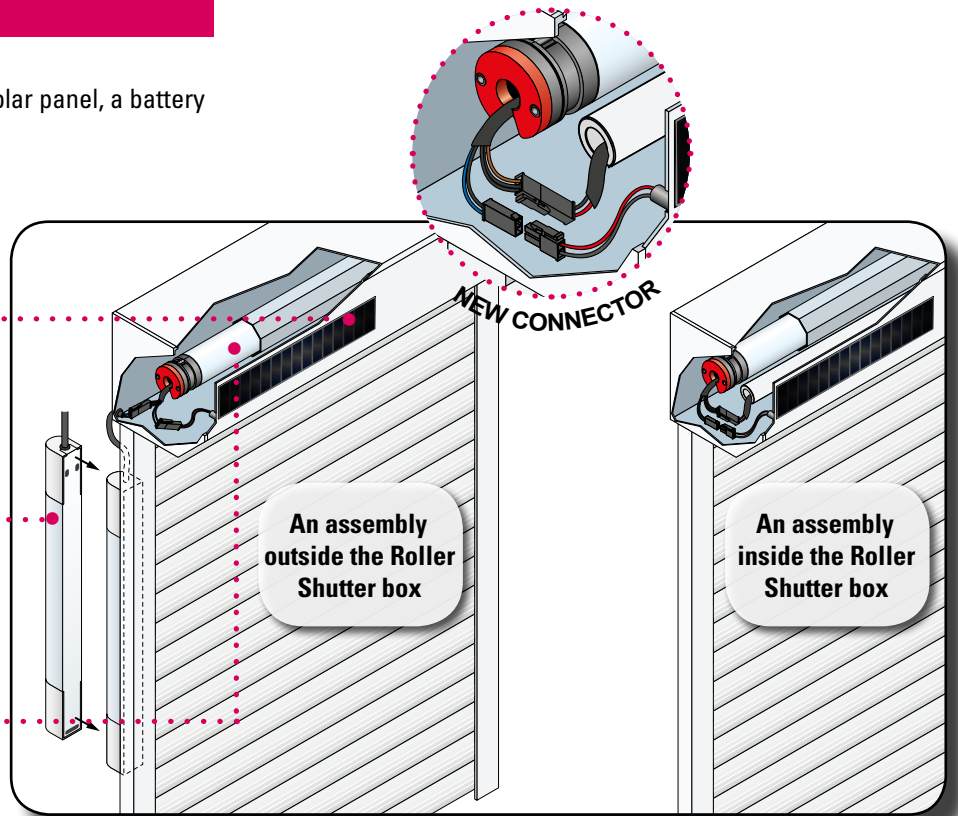
Converts solar energy into electrical energy.

### 2 THE BATTERY

Stores the energy given by the solar panel.

### 3 THE MOTOR

Uses the energy of the battery to operate the roller shutter.



# AUTOSUN<sup>®</sup> SOLAR SOLUTION, 100% AUTONOMOUS, WITHOUT WORKS

## Efficient solution

- Compatible for RENOVATION or NEW installation.
- Powerful Battery: autonomy of **15 days without sun**.
- Solar panel: one solar panel needed whatever the orientation and the motor torque.

## Easy integration

- **3 different solutions: to suit all integration:**
  - Naked battery with specific brackets fixed by pop rivets inside the Roller Shutter box
  - Battery in an alu cover: screwed, popped or stuck outside along the guide rail or on the wall
  - Solar panel fixed by pop rivets or adhesives on the roller shutter box or deported on the wall
- Connection of the system (motor, solar panel & battery) by connectors with poka yoke.

## A well-equipped roller shutter

- Roller shutter powered by solar energy.
- Radio motor (no wiring).
- Radio SIMU Hz technology, well known on the market.
- Stop on obstacle.
- Frost detection.
- Compatible with LiveIn connected solution and all sequential and functional transmitters.
- Intermediary position.



## Aesthetic solar panel

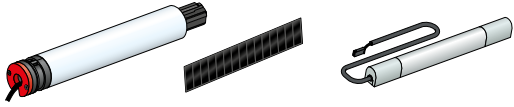
- Discreet integration on the roller shutter box or on the wall, possibility to deport the solar panel with an extension cable.

## FOR A GOOD INSTALLATION



- Choose the most appropriate motor torque to the dimensions of the roller shutter.
- Load the battery before assembling or installation thanks to the battery charger.
- Make sure that the solar panel is fixed to capture as many sun rays as possible.
- Make sure that there is no shadow on the solar panel (roof, tree...).

## KIT REFERENCES (SOLAR PANEL, BATTERY, MOTOR)

The kit is made up of one motor, one solar panel and battery in alu cover (cable 60cm), and is delivered in a single packaging, to meet at best installer needs or for one renovation.

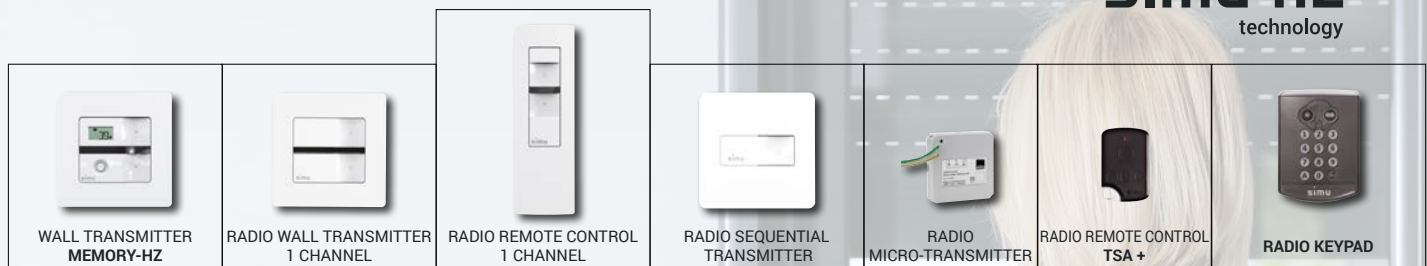
PRODUCT	MOTOR TORQUE	SPEED MOTOR	REFERENCE x 1
	3 Nm	23 rpm	<b>2009089</b>
	6 Nm	18 rpm	<b>2009090</b>
	10 Nm	12 rpm	<b>2009091</b>

## AFTER SALES CABLE REFERENCES

PRODUCT	DESCRIPTION	REFERENCE x 1
	<b>MOTOR cable:</b> enable to keep the battery and the solar panel AUTOSUN 1 with one motor AUTOSUN 2	<b>9020481</b>
	<b>BATTERY cable:</b> enable to keep the motor and the solar panel AUTOSUN 1 with one battery AUTOSUN 2	<b>9020639</b>

## COMPATIBLE COMMANDS & AUTOMATIC DEVICES

### TO PILOT A ROLLER SHUTTER DIRECTLY



### TO PROGRAM, AUTOMATE AND CENTRALIZE THE SHUTTERS



### FOR CONTROLLING ROLLER SHUTTERS FROM A SMARTPHONE OR A TABLET

