



CHAIN MANUAL OVERRIDE

FOR T8S DMI MOTOR



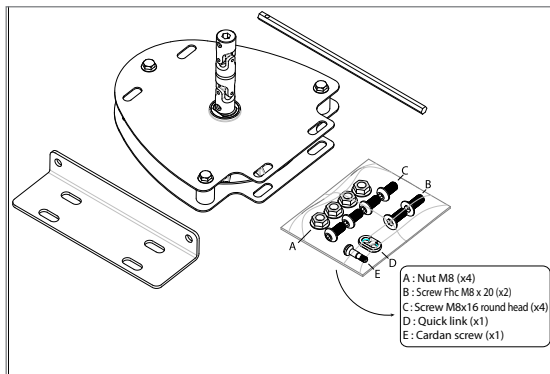
#### A UNIQUE SOLUTION ON THE MARKET

- **Faster and effortlessly:** in case of power failure, the chain manual override enables to open or close the door more quickly and easily than with a crank.
- **Suitable for doors of industrial buildings:** compared to side motors, T8S DMI with chain manual override solution is a real alternative, compact, aesthetic and efficient for high doors and industrial closures.
- **Compatible with all T8S DMI installations:** new construction, modernization, surface mounting or between-walls, the system fits perfectly and in a few minutes. It is directly screwed on the motor support plate.

## CHAIN OVERRIDE KIT

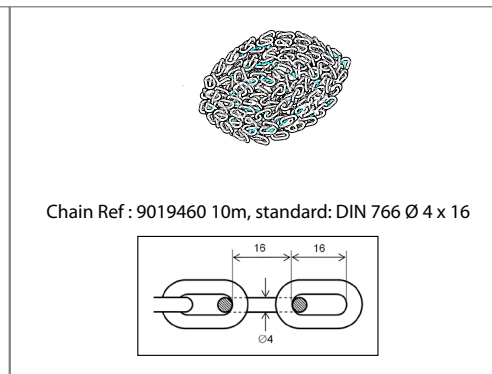
The complete solution is composed of the 2 references (kit+chain)

### Manual kit



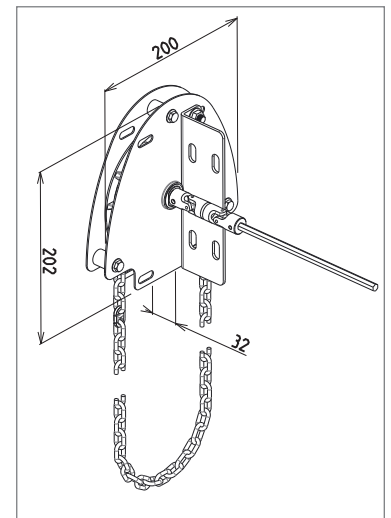
9019458 Chain manual override T8SDMI kit Simu without chain

### Chain manual override



9019460 Chain manual override

### Dimensions



## FEATURES AND BENEFITS

### END-USERS

**Easy manual operation.**

*Effortless movement: manual torque of 10N maximum needed to operate the chain.*

**Fast manual operation.**

*30% faster than the crank.*

**Intuitive.**

*Direct manual override, just pull on the chain.*

### MANUFACTURERS AND INSTALLERS

**Easy and fast installation.**

*Fixing with 4 screws.*

**Possibility to install it afterwards as an upgrade.**

*The chain kit is a separated accessory from the motor.*

**Only 1 reference for the whole range.**

*Compatible with all T8S DMI and all mountings.*

**Economical. Up to 6.5m high, no need to extend the chain.**

*Delivered with 10m chain.*

**Adjustable length very fast.**

*Quick link to assemble the chain.*

## REMINDER T8S DMI RANGE

### POWER SUPPLY 230V - 50 Hz

DESCRIPTION	TORQUE	SPEED	POWER	CURRENT	END-LIMIT CAPACITY	BASE DIAMETER	WEIGHT	REFERENCE	
								without safety end-limit	with safety end-limit
<b>T8S DMI 150</b>	150 Nm	8 tr/min.	450 W	2 A	17 tours	94 mm	11 kg	<b>2008304</b>	<b>2008280</b>
<b>T8S DMI 200</b>	200 Nm	8 tr/min.	710 W	2,5 A	17 tours	94 mm	12,5 kg	<b>2008305</b>	<b>2008281</b>
<b>T8S DMI 250</b>	250 Nm	8 tr/min.	710 W	3,2 A	17 tours	94 mm	13 kg	<b>2008306</b>	<b>2008282</b>
<b>T8S DMI 300</b>	300 Nm	8 tr/min.	855 W	3,9 A	17 tours	94 mm	13,5 kg	<b>2008307</b>	<b>2008283</b>

### POWER SUPPLY 120V - 60 Hz (US range)

DESCRIPTION	TORQUE	SPEED	POWER	CURRENT	END-LIMIT CAPACITY	BASE DIAMETER	WEIGHT	REFERENCE
								without safety end-limit
<b>T8S DMI 200</b>	200 Nm	10 tr/min.	600 W	5,6 A	17 tours	94 mm	12,5 kg	<b>2008302</b>