



LED DC HZ RECEIVER

FOR LIGHTING

REMOTE CONTROL FOR LIGHTINGS :

It is supplied in 12 VDC and allows to control a light from a SIMU-Hz remote control.

BUILT-IN LIGHT DIMMER SWITCH :

It allows to set the level of the light from a remote control. You can also set a favorite light level and then reach it by simply pushing the stop button.

CONVENIENT :

Compatible with all the SIMU-Hz transmitters and automatic devices. It is possible to control both shutters and lightings from a multichannel remote control.

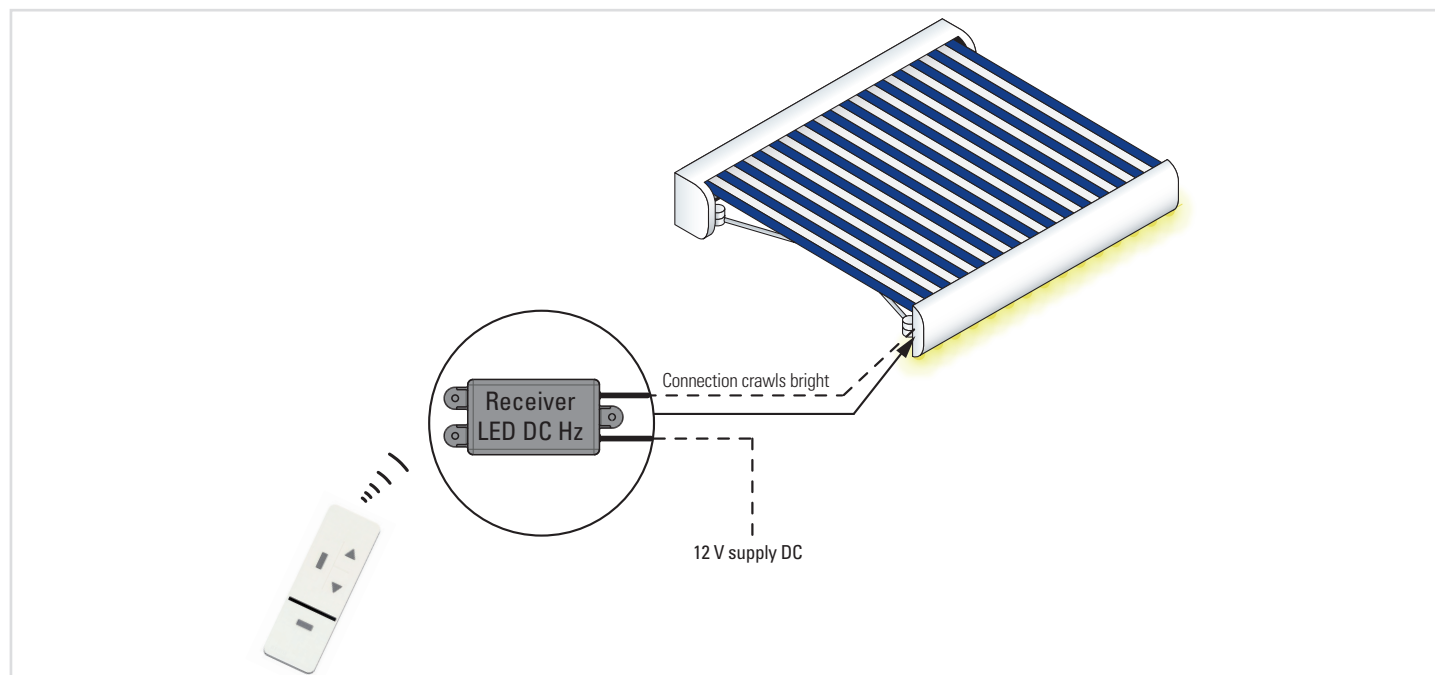
EASY AND QUICK TO INSTALL, INSIDE AND OUTSIDE

Easy installation thanks to its compact size, the integrated connection wires and the brackets for fixing. Moreover, as it is waterproof it is compatible for an indoor as well as a outdoor installation.

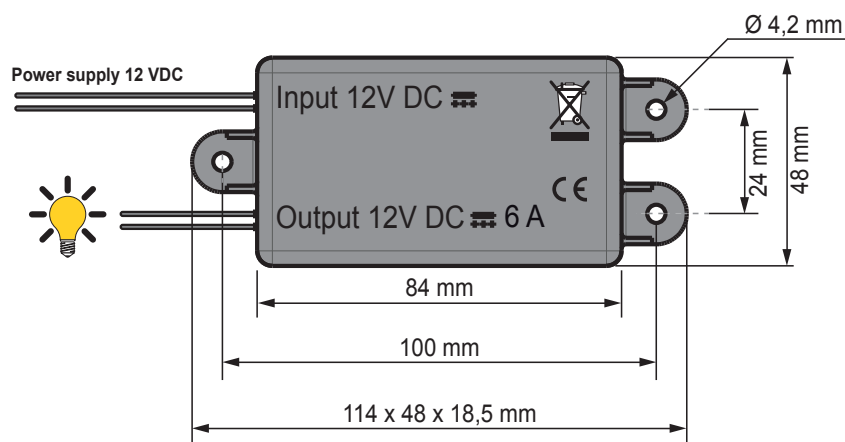


EXAMPLE OF INSTALLATION

Installation of a lighting strip on a cassette awning



TECHNICAL CHARACTERISTICS



POWER SUPPLY	12VDC (min.: 11V/max.:16V)
AMBIENT TEMPERATURE OF USE	-20°C / +70°C
PROTECTION INDEX	IP55
CONTROL OUTPUT	72W at 12V for Led incandescent/halogen or bulbs.
RUNNING TIME	3 hours (before automatic cut off)
RADIO COMPATIBILITY	any Simu Hz transmitters ((up to 12 transmitters per receiver)
RADIO FREQUENCY	433.42 MHz



DESIGNATION	REFERENCE
Recepteur LED DC Hz	2008405

