



SEQUENTIAL

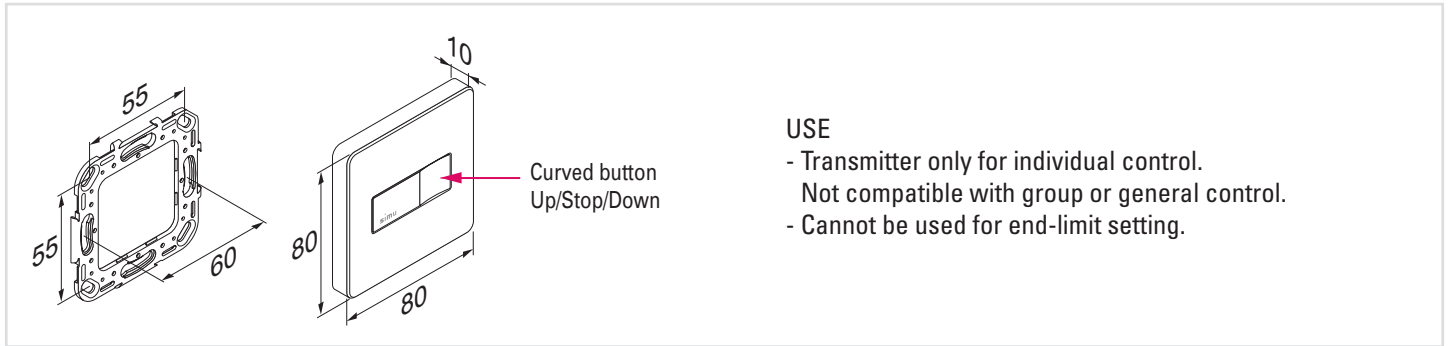
Hz TRANSMITTER

A TOUCH OF SIMPLICITY

- **One button to control** a motor in sequential mode (up, stop, down and stop... always in the same order).
- **Fast programming** thanks to the PROG button on the back side of the transmitter.
- **Very sober design:** flat surface and rounded angles for this transmitter that will fit all types of interior.
- **Multi applications:** compatible with SIMU motors for roller shutter or awning, with integrated or external SIMU-Hz radio receiver, also with GM800 and GM1000 motors, RSA and RSA Pro control boxes.



SPECIFICATION



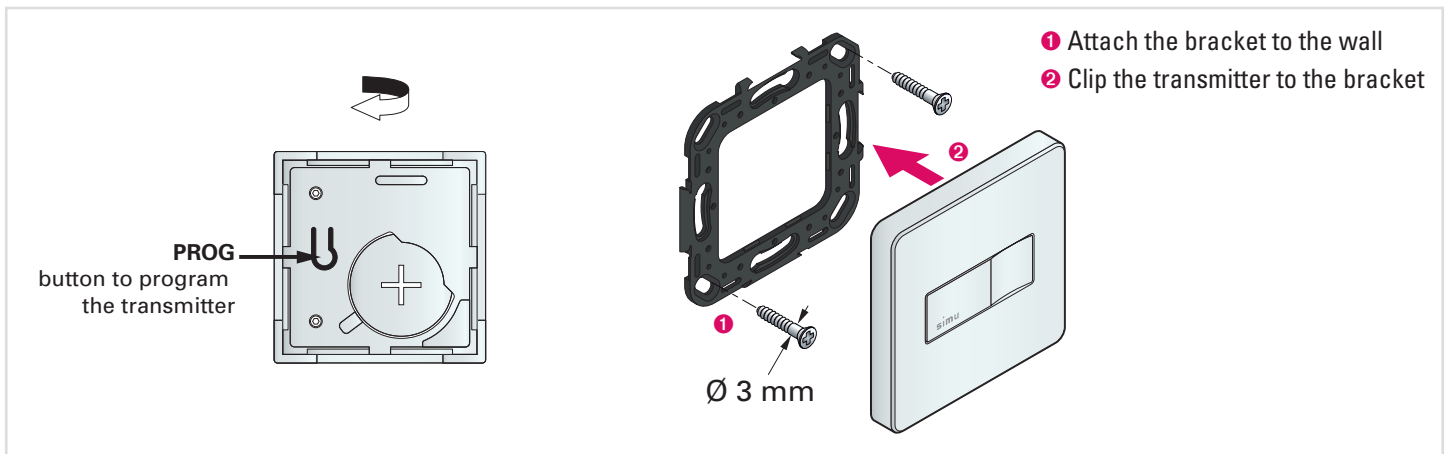
USE

- Transmitter only for individual control.
- Not compatible with group or general control.
- Cannot be used for end-limit setting.

PRODUCT CLASS	class III
POWER SUPPLY	3V - type CR2430 battery
AMBIENT TEMPERATURE OF USE	from -10°C to +60°C
PROTECTION INDEX	IP 30
RANGE	~ 200 m in free field ~ 20 m through 2 reinforced concrete walls (depends on the environment and radio pollution)
RADIO FREQUENCY	433.42 MHz
COMPATIBILITY	SIMU motors with integrated or external SIMU-Hz radio receiver, also with GM800 and GM1000 motors, RSA and RSA Pro control boxes and micro Hz receiver for lighting.

STANDARD 

ASSEMBLY



REFERENCES

DESCRIPTION	PACKAGING	REFERENCE
Sequential Hz transmitter NEW DESIGN	x 1	2008401
Sequential Hz transmitter NEW DESIGN/100	x 100	2008402

