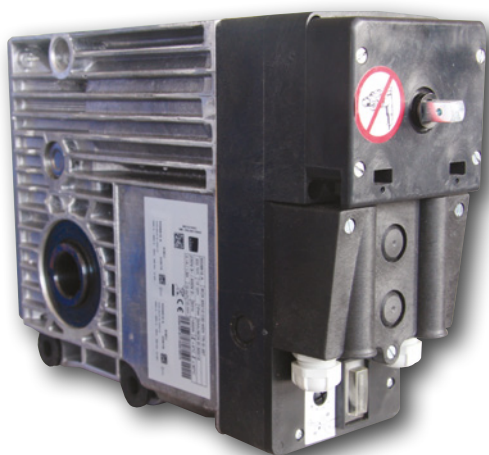




SIMUBOX SIDE MOTORS

FOR ROLLING DOORS



A COMPLETE OFFER FOR ALL KINDS OF INSTALLATIONS

- COMPACT DIMENSIONS: SIMUBOX can be installed even if the space is small at the end of the axis.
- **SINGLE-PHASE SIMUBOX** and **THREE-PHASE SIMUBOX EI** (Electronics Integrated) for an easy and fast installation with only a keyswitch.
- **THREE-PHASE SIMUBOX** for more complete installations with a control box.
- DOUBLE MANUAL OVERRIDE SYSTEM (short crank and chain guide included).
- COMPLY with European and international standards.

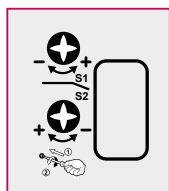
DIMENSIONS

SINGLE-PHASE SIMUBOX

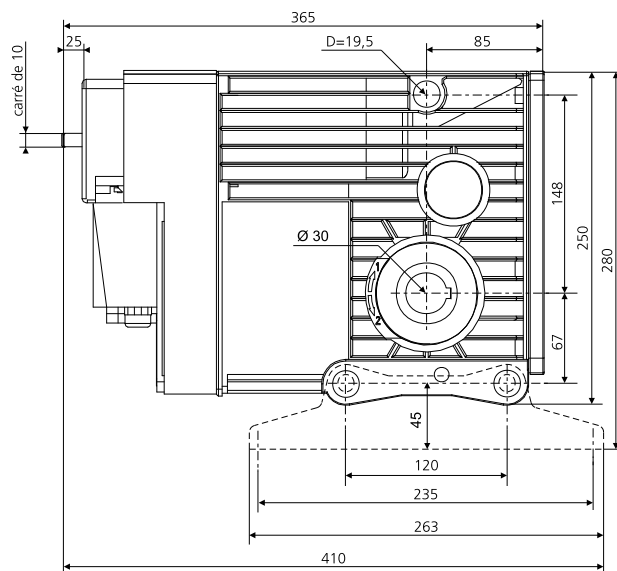
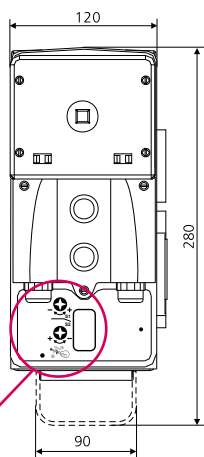
SIMUBOX 200/12
SIMUBOX 250/08

THREE-PHASE SIMUBOX

SIMUBOX 220/12
SIMUBOX 300/12
SIMUBOX 430/08



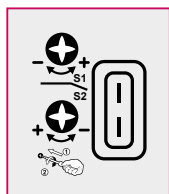
without switch



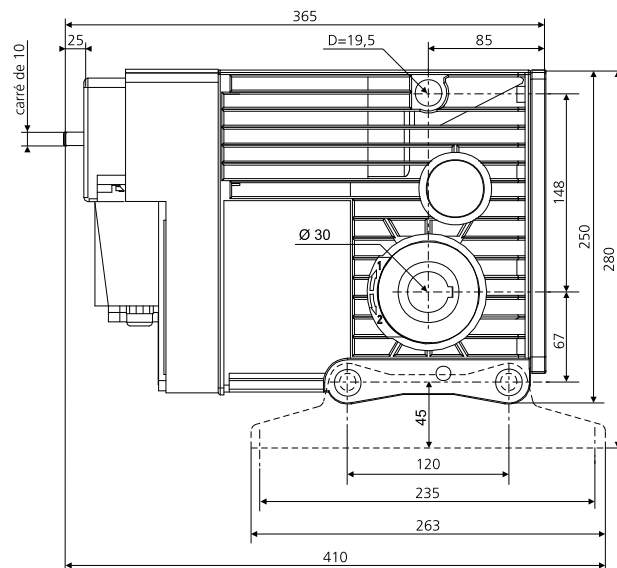
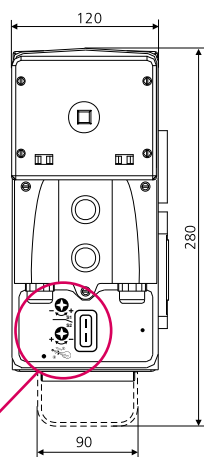
THREE-PHASE SIMUBOX EI

(ELECTRONICS INTEGRATED)

SIMUBOX 220/12
SIMUBOX 300/12
SIMUBOX 430/08



with switch



TECHNICAL DATAS

PROGRESSIVE END-LIMIT WITH 4 SWITCHES - 2 standrad end-limits

- 2 security end-limits

2 ADDITIONAL SWITCHES indicating high or low position of the curtain.

END LIMIT CAPACITY 25 rounds

PROTECTIN INDEX IP 44

AMBIENT WORKING TEMPERATURE from -10°C to +40°C



MOTOR RANGE

SINGLE-PHASE SIMUBOX

SINGLE-PHASE POWER SUPPLY: 230V / 50 Hz

DESCRIPTION	TORQUE	SPEED	POWER CONSUMPTION	INTENSITY	OPERATING TIME	WEIGHT	REFERENCE
SIMUBOX 200/12 MONO	200Nm	12rpm	980W	4.5A	4'	18kg	2009128
SIMUBOX 250/08 MONO	250Nm	08rpm	1000W	4.5A	4'	18kg	2009129

SINGLE-PHASE POWER SUPPLY: 240V / 50HZ

DESCRIPTION	TORQUE	SPEED	POWER CONSUMPTION	INTENSITY	OPERATING TIME	WEIGHT	REFERENCE
SIMUBOX 180/12 MONO	180Nm	12rpm	900W	3.9A	4'	18kg	2009375
SIMUBOX 250/08 MONO	250Nm	08rpm	950W	4.1A	4'	18kg	2009376

THREE-PHASE SIMUBOX

THREE-PHASE POWER SUPPLY: 400V 3~ / 50 Hz

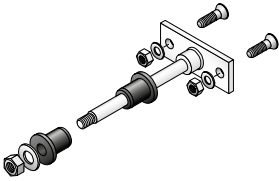
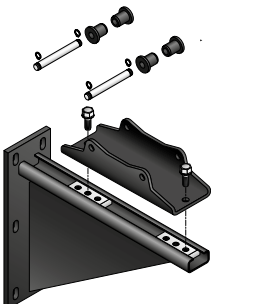
DESCRIPTION	TORQUE	SPEED	POWER CONSUMPTION	INTENSITY	OPERATING TIME	WEIGHT	REFERENCE
SIMUBOX 220/12 TRI	220Nm	12rpm	850W	1.6A	10'	17kg	2009132
SIMUBOX 300/12 TRI	300Nm	12rpm	1050W	1.9A	10'	17kg	2009152
SIMUBOX 430/08 TRI	430Nm	08rpm	1100W	2.1A	10'	18kg	2009133

THREE-PHASE SIMUBOX EI (ELECTRONICS INEGRATED)

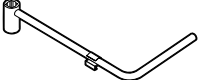
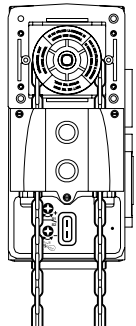

THREE-PHASE POWER SUPPLY: 400V 3~ / 50 Hz

DESCRIPTION	TORQUE	SPEED	POWER CONSUMPTION	INTENSITY	OPERATING TIME	WEIGHT	REFERENCE
SIMUBOX 220/12 EI TRI	220Nm	12rpm	850W	1.6A	10'	17kg	2009130
SIMUBOX 300/12 EI TRI	300Nm	12rpm	1050W	1.9A	10'	17kg	2009388
SIMUBOX 430/08 EI TRI	430Nm	08rpm	1100W	2.1A	10'	18kg	2009131

ACCESSORIES





FOR MOUNTING	
INSTALLATION WITH BOCK ROD	
INSTALLATION WITH BRACKET: - Bracket + Mounting bracket	

DESIGNATION	REFERENCE
Block rod	9146521
Bracket	9146500
Mounting bracket	9146510
10 meter chain	9146501
Ring	9000907
Crank handle with hook	<i>see SIMU catalogue</i>

MANUAL OVERRIDE	
SHORT CRANK (included)	
OVERRIDE BY CHAIN - 10 meter chain	
OVERRIDE WITH LONG CRANK - Ring - Crank handle with hook	

COMPATIBILITY

SINGLE-PHASE SIMUBOX AND THREE-PHASE SIMUBOX EI have been made to be exclusively controlled by unstable keyswitches offered in the SIMU catalogue.

UNSTABLE WIRED CONTROLS			
Universal key switch in unstable mode (with or without branding)	Unstable key switch	Unstable waterproof key switch	Waterproof rotary push button
			

DESIGNATION	REFERENCE
Universal key switch with branding	2004964
Universal key switch without branding	2008332
Unstable key switch	2001548
Unstable waterproof key switch	2006752
Waterproof rotary push button	2006754

THREE-PHASE SIMUBOX has been made to be exclusively controlled by SD510 control box.



DESCRIPTION	RÉFÉRENCE
SD510	2008779

i For any other key switch or control box, please contact your SIMU interlocutor.

Realization SIMU - 09/21 - SIMU SAS, capital 5 000 000 euros, RCS Vesoul 425 650 090. This document is not legally binding. We reserve ourselves the right to make any useful modification in order to constantly develop and improve our tender. SIMU shall not be held responsible for misuse by non-professionals.



Visit our website: www.simu.com



E-catalogue



Manuals



Videos



Recommendations



FAQ

Visit our Youtube channel:  YouTube

