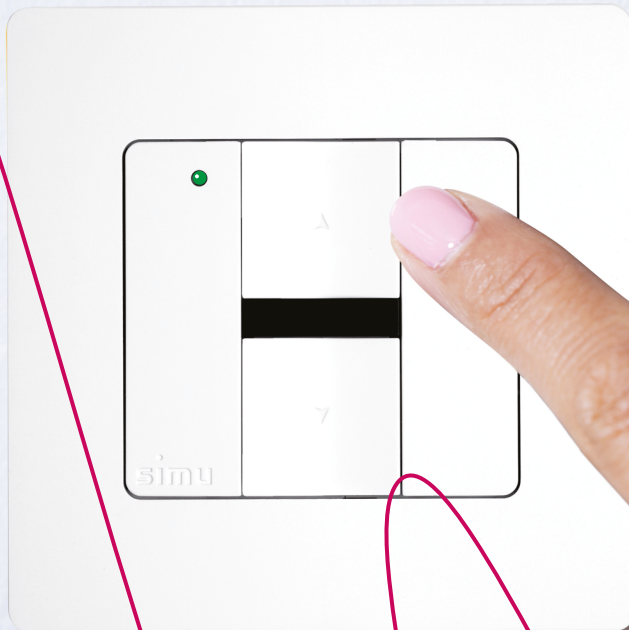


simu-BHz<sup>®</sup>  
technology



## SIMU-BHz RADIO TRANSMITTERS

simu-BHz<sup>®</sup>  
technology



### RANGE OF TRANSMITTERS **FOR LOCAL CONTROL** OF THE **NEW SIMU-BHz** RADIO MOTOR RANGE

**A TRANSMITTER FOR EVERY USE:** choose either a wall version that can be placed where you want or a remote version that's always within easy reach.

**THE MOBILE TRANSMITTER:** compact, ergonomic and practical, it fits easily in the hand and can also be hung on the wall thanks to its magnetic bracket.

**A TOUCH OF COMFORT:** record a favourite position on your roller shutter or awning and activate it by simply pressing the stop button.

**CUSTOMIZABLE WALL VERSION:** a collection of frames with trendy colors and decorations to bring a unique touch to your interior decoration.

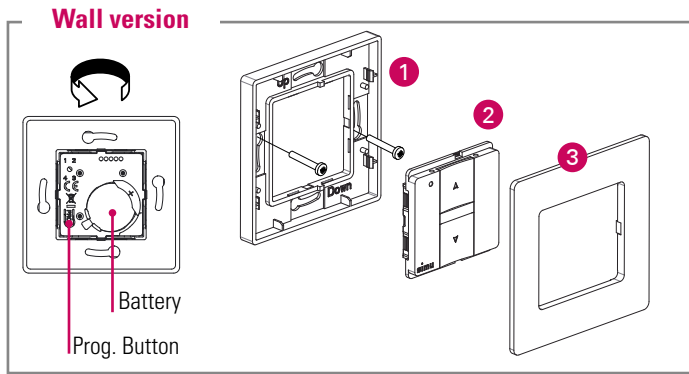
**A 5 CHANNEL TRANSMITTER TO MANAGE MULTIPLE SHUTTERS:** control from the same transmitter up to 5 shutters or group of shutters.



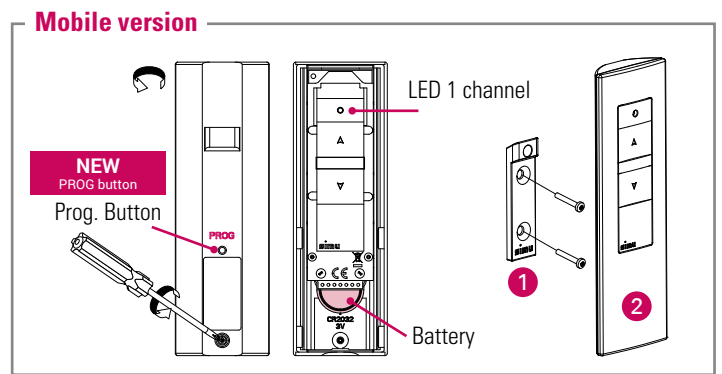
1 or 5 channels radio transmitters  
without feedback information



## ASSEMBLY

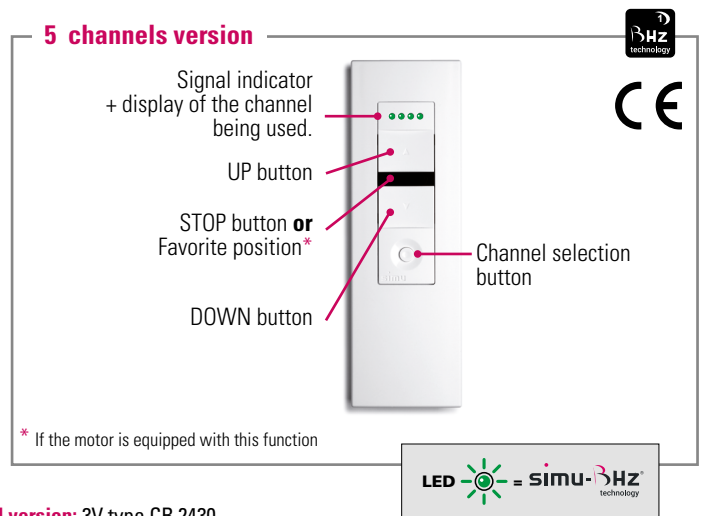
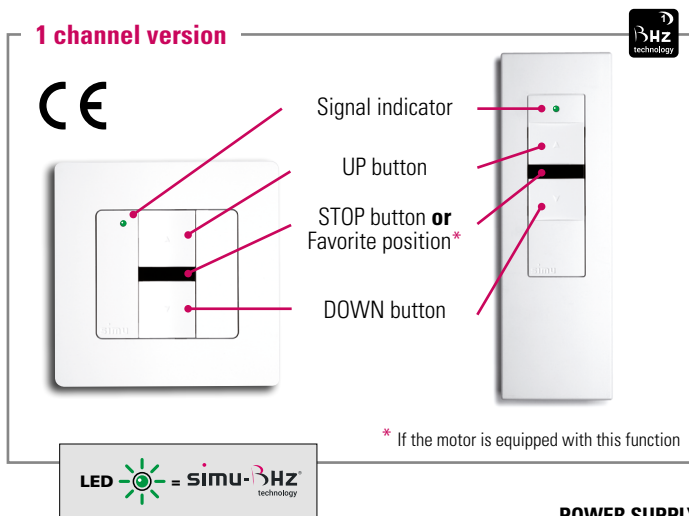


- 1 Fix the bracket on the wall (screws not included)
- 2 Clip on the **BHz** control module
- 3 Clip on the frame



- 1 Fix the bracket on the wall (screws not included)
- 2 Put the **BHz** remote control on its wall support (eased by the integrated magnet)

## TECHNICAL CHARACTERISTICS



**POWER SUPPLY** Wall version: 3V type CR 2430  
Mobile version: 3V type CR 2032

**OPERATING TEMPERATURE** 0°C to +45°C

**RADIO RANGE** Wall version: 150 meters in open field and 15 meters through 2 reinforced concrete walls  
Mobile version: 200 meters in open field and 20 meters through 2 reinforced concrete walls

**COMPATIBILITY** with **BHz** motors and receivers

**RADIO FREQUENCY** 868-870 MHz

**PROTECTION INDEX** IP30

**PRODUCT CLASS** III

**SIZE** Wall version: 80x80x10mm  
Mobile version: 125x40x15mm

## REFERENCES

DESCRIPTION		REFERENCE
<b>WALL TRANSMITTER BHz 1C</b>	x1	<b>2009078</b>
<b>WALL TRANSMITTER BHz 1C</b>	x100	<b>2009079</b>
<b>MOBILE TRANSMITTER BHz 1C</b>	x1	<b>2009072</b>
<b>MOBILE TRANSMITTER BHz 5C</b>	x1	<b>2009202</b>
<b>WALL BHZ TRANSMITTER 1C CUSTOMIZED</b>	x100	<b>2009542</b>

Delivered with battery.  
Mobile version delivered with wall bracket.  
(wall fixing screws not included in both cases).

## COLLECTION OF COLOURED FRAMES TO CUSTOMIZE THE WALL TRANSMITTER

The frames are packaged individually.

Anthracite	Taupe	Raspberry Red	Mineral Blue	Bruched Alu	Zebrano Wood	Lily flower	Zebra	Anthracite chrome	
Frames for wall transmitter	<b>9019766</b>	<b>9019767</b>	<b>9019768</b>	<b>9019769</b>	<b>9019770</b>	<b>9019771</b>	<b>9019772</b>	<b>9019773</b>	<b>9019774</b>