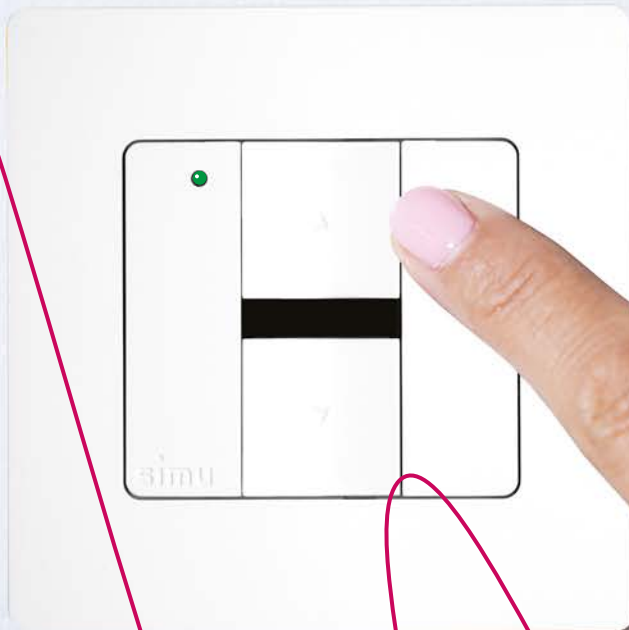


simu-BHz[®]
technology



SIMU-BHz RADIO TRANSMITTERS

NEW

simu-BHz[®]
technology



RANGE OF TRANSMITTERS **FOR LOCAL CONTROL** OF THE **NEW SIMU-BHz** RADIO MOTOR RANGE

A TRANSMITTER FOR EVERY USE: choose either a wall version that can be placed where you want or a remote version that's always within easy reach.

THE MOBILE TRANSMITTER: compact, ergonomic and practical, it fits easily in the hand and can also be hung up on the wall thanks to its magnetic bracket.

A TOUCH OF COMFORT: record a favourite position on your roller shutter or awning and activate it by simply pressing the stop button.

CUSTOMIZABLE: a collection of frames with trendy colors and decorations to bring a unique touch to your interior decoration.

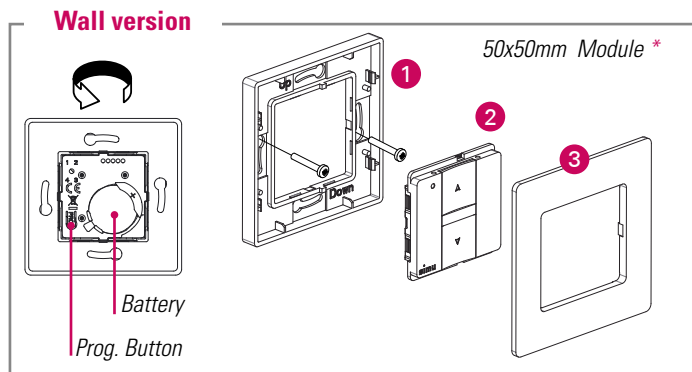
A 5 CHANNEL TRANSMITTER TO MANAGE MULTIPLE SHUTTERS: control from the same transmitter up to 5 shutters or group of shutters.



1 or 5 channels radio transmitters
without feedback information

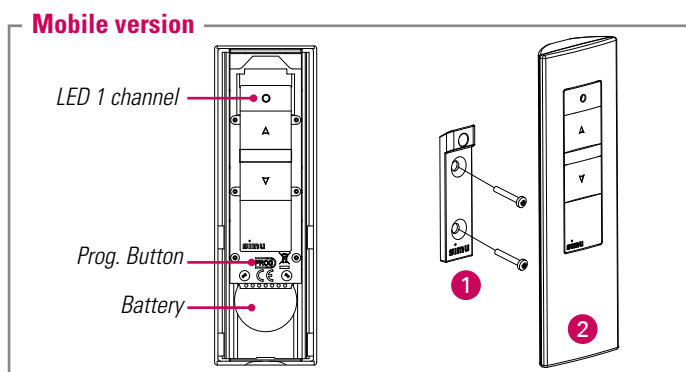


ASSEMBLY



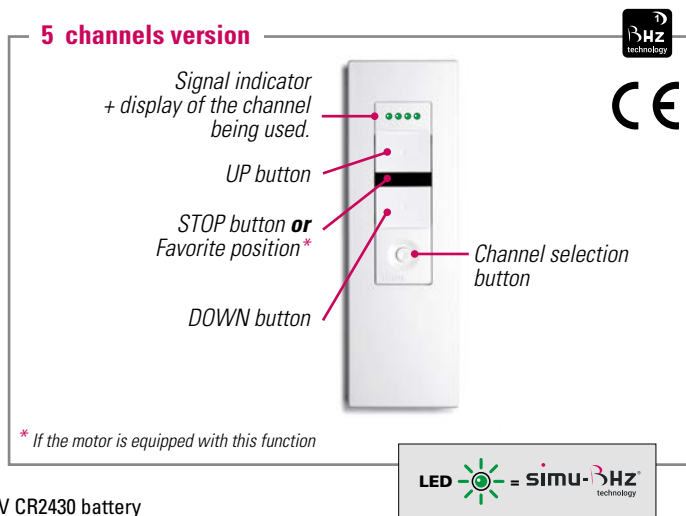
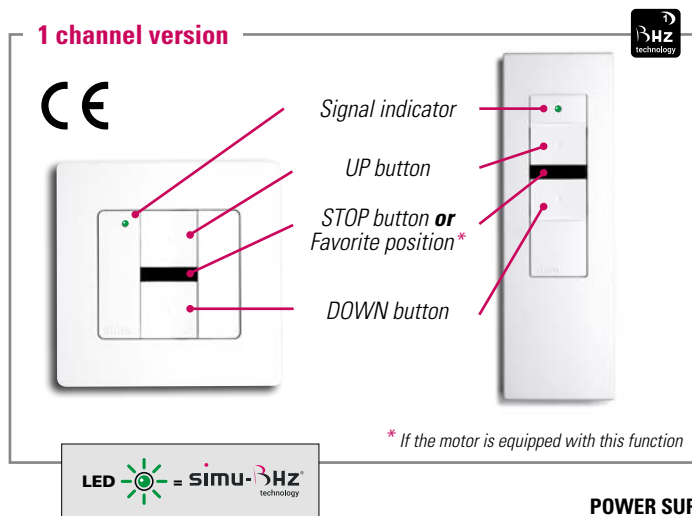
- 1 Fix the bracket on the wall (screws not included)
- 2 Clip on the **BHz** control module
- 3 Clip on the frame

* Module compatible with 50x50 mm electrical frames of the market, thanks to the "DIN accessories" offer (ask us for more details).



- 1 Fix the bracket on the wall (screws not included)
- 2 Put the **BHz** remote control on its wall support (eased by the integrated magnet)

TECHNICAL CHARACTERISTICS



POWER SUPPLY 3V CR2430 battery
OPERATING TEMPERATURE 0T60 (0°C / +60°C)
RADIO RANGE **Wall version:** 150 meters in open field and 15 meters through 2 reinforced concrete walls
Mobile version: 200 meters in open field and 20 meters through 2 reinforced concrete walls with **BHz** motors and receivers
COMPATIBILITY with **BHz** motors and receivers
RADIO FREQUENCY 868-870 MHz
PROTECTION INDEX IP30
PRODUCT CLASS III
SIZE **Wall version:** 80x80x10mm
Mobile version: 125x40x15mm

REFERENCES

DESCRIPTION	REFERENCE
WALL TRANSMITTER BHz 1C x1	2009078
WALL TRANSMITTER BHz 1C x100	2009079
MOBILE TRANSMITTER BHz 1C x1	2009072
MOBILE TRANSMITTER BHz 5C x1	2009202

Delivered with battery.
 Mobile version delivered with wall bracket.
 (wall fixing screws not included in both cases).

COLLECTION OF COLOURED FRAMES TO CUSTOMIZE THE TRANSMITTER

The frames are packaged individually.

	Anthracte	Taupe	Raspberry Red	Mineral Blue	Bruched Alu	Zebrano Wood	Lily flower	Zebra	Anthracte chrome
Frames for wall transmitter	9019766	9019767	9019768	9019769	9019770	9019771	9019772	9019773	9019774
Frames for mobile transmitter	9019775	9019776	9019777	9019778	9019779	9019780	9019781	9019782	9019783