

MEMORY-Hz WALL TRANSMITTER

FOR ROLLER SHUTTERS, AWNINGS OR LIGHTING

SMART 1-CHANNEL WALL TRANSMITTER WITH 24-HOUR REPETITION FUNCTION

Convenience: no more worries about opening or closing your roller shutter. Thanks to the memory function, it will automatically open, close, and even go to the favorite position each day at the same time.

Practical: the lcd screen shows the remaining time before the next command, the activated functions and it alerts you in case of low battery.

Security when you're away thanks to the presence-simulation function which varies the programmed schedules randomly.

Easy to use, simply press and hold one of the buttons (up, favorite position, or down), at the desired time to record the command which will be repeated every 24 hours.

Automatic mode can be disabled at any time, to switch to manual control mode.

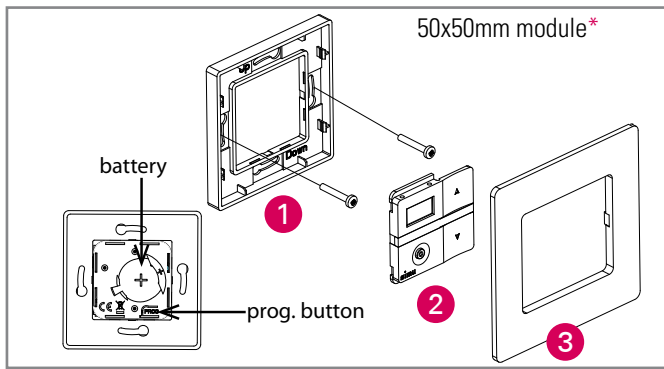
Elegant: both understated and modern, this new transmitter easily blends into any kind of decor. A collection of frames with stylish colours and decorations lets you customise the transmitters and bring a unique touch to your decor.

You'll find this signature in the entire collection of simu-hz transmitters.



SIMU-Hz
technology

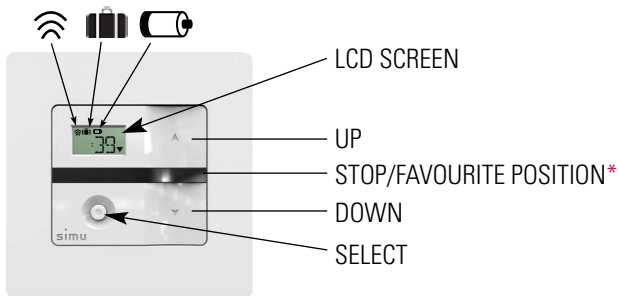
PROGRAMMING AND ASSEMBLY



- 1 Mount the bracket to the wall
- 2 Clip on the Hz control module
- 3 Clip on the frame

* Module compatible with 50x50 mm electrical frames on the market, thanks to the "DIN accessories" offer (ask us for more details).

TECHNICAL CHARACTERISTICS



LCD screen display

- Signal indicator
- Presence-simulation function activated
- Low battery indicator
- Remaining time before the next command

Screen goes on standby after 2 minutes

* If the motor is equipped with this function

POWER SUPPLY	3V CR2430 battery
RADIO RANGE	150 meters in open field and 15 meters through 2 reinforced concrete walls
SIZE	80 x 80 x 10 mm
OPERATING TEMPERATURE	-10° to +60°C
RADIO FREQUENCY	433.42 MHz
PROTECTION INDEX	IP30
PRODUCT CLASS	III
COMPATIBILITY	SIMU-Hz motors and receivers

REFERENCES

DESCRIPTION	REFERENCE
MEMORY HZ x1	2008732
MEMORY HZ x10	2008733

COLLECTION OF COLOURED FRAMES TO CUSTOMIZE THE TRANSMITTER

Frames for wall transmitters	9019766	9019767	9019768	9019769	9019770	9019771	9019772	9019773	9019774

The frames are packaged individually