



WINDY Hz ACCEL

WIND SENSOR FOR AWNING

IT AUTOMATICALLY MANAGES CLOSING OF THE AWNING:

- In case of strong wind, it detects wind vibrations on the load bar and control the closing of the awning to protect it.

NO WIRING REQUIRED : it is a wireless sensor, supplied by 2 batteries AAA (LR03).

DISCREET : fixing on the inside part of the load bar of the folding arm awning.

3D WIND DETECTION : Windy Hz Accel detects horizontal, vertical and lateral movements of the awning.

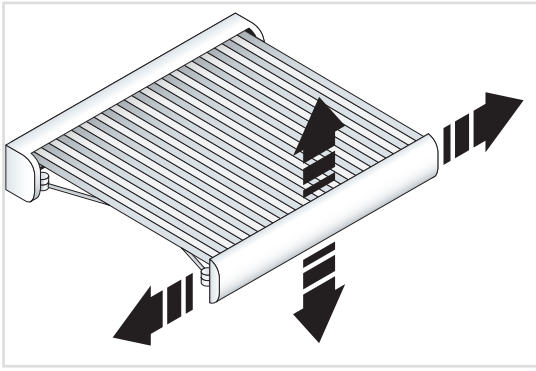
QUICK PROGRAMMING : just shake the awning with hands to record in the sensor's memory the magnitude of movement that should not be exceeded. This adjustment can also be set using a potentiometer control within the sensor's box.

MAINTENANCE-FREE : batteries have a lifespan of more than 5 years and can be easily replaced by the end-user.

SENSOR CAN BE SWITCHED OFF, by removing the box from its support.



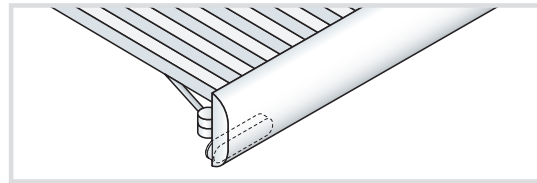
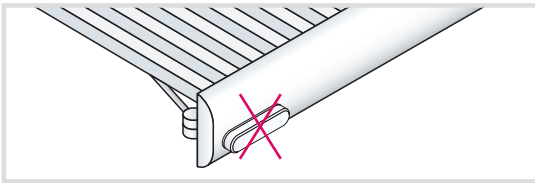
## OPERATING PRINCIPLE



The motion sensor not only detects horizontal and vertical movements of the awning, but also lateral ones.

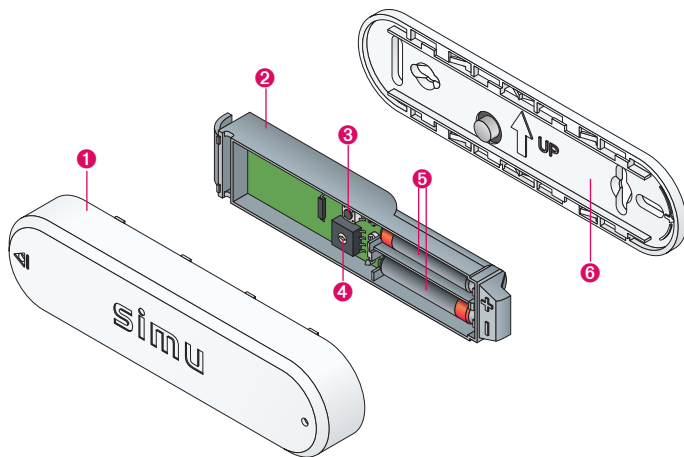
As soon as the preset threshold is exceeded, the sensor automatically retracts the awning.

## INSTALLATION



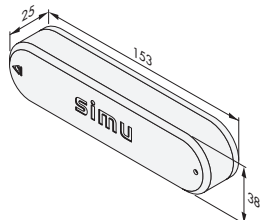
Windy Hz Accel has to be fitted to the inside surface of one end of the front bar (motor side), to optimize sensitivity to wind generated movements.

## TECHNICAL CHARACTERISTICS



- 1 Box
- 2 Sensor
- 3 PROG button
- 4 Potentiometer
- 5 AAA (LR03) 1.5V alkaline battery
- 6 Support plate

DESIGNATION		REFERENCE
<b>WINDY-Hz ACCEL</b>	<b>X1</b>	<b>2008494</b>
<b>WINDY-Hz ACCEL</b>	<b>X10</b>	<b>2008520</b>



<b>POWER SUPPLY</b>	2 AAA alkaline batteries (LR03) 1.5V
<b>MOTOR COMPATIBILITY</b>	T3,5 Hz.02, T5 Hz.02,, T6 Hz.02, DMI15 Hz.01, DMI6 Hz.01, T5 ESP Hz et T6 ESP Hz
<b>RADIO FREQUENCY</b>	433.42 MHz
<b>RANGE</b>	20m in an environment with normal pollution level
<b>PROTECTION INDEX</b>	IP44
<b>SIZE</b>	25 x 38 x 153mm (h x w x L)