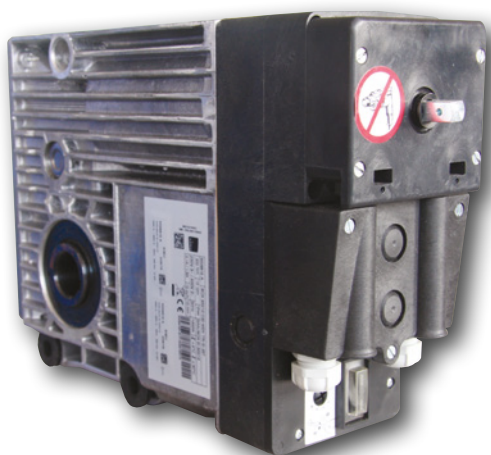




SIMUBOX SIDE MOTORS

FOR SECTIONAL DOORS



A COMPLETE OFFER FOR ALL KINDS OF INSTALLATIONS

- COMPACT DIMENSIONS: SIMUBOX can be installed even if the space is small at the end of the axis.
- **SINGLE-PHASE SIMUBOX** and **THREE-PHASE SIMUBOX EI** (Electronics Integrated) for an easy and fast installation with only a keyswitch.
- **THREE-PHASE SIMUBOX** for more complete installations with a control box.
- TRIPLE MANUAL OVERRIDE SYSTEM (short crank, chain guide and declutching included).
- A lever positioned behind the motor provides a QUICK DECLUTCHING by releasing the door which is balanced by springs and allows a manual operation in case of power failure.
- COMPLY with European and international standards.

MOTOR RANGE

SINGLE-PHASE SIMUBOX

SINGLE-PHASE POWER SUPPLY: 230V / 50 Hz

DESCRIPTION	TORQUE	SPEED	POWER CONSUMPTION	INTENSITY	OPERATING TIME	WEIGHT	REFERENCE
SIMUBOX 80/25 MONO	80 Nm	25 rpm	940 W	4.5 A	4 min.	18 kg	2009134

THREE-PHASE SIMUBOX

THREE-PHASE POWER SUPPLY: 400V 3~ / 50 Hz

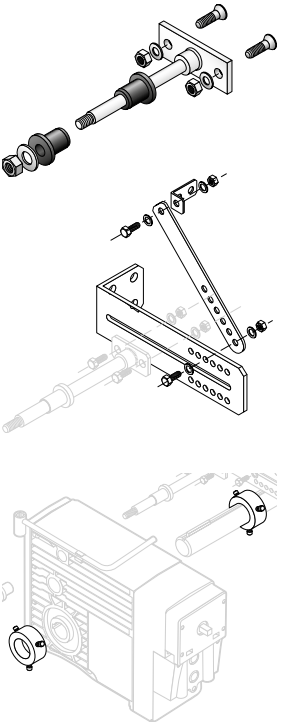
DESCRIPTION	TORQUE	SPEED	POWER CONSUMPTION	INTENSITY	OPERATING TIME	WEIGHT	REFERENCE
SIMUBOX 120/25 TRI	120 Nm	25 rpm	1000 W	1.9 A	10 min.	18 kg	2009136

THREE-PHASE SIMUBOX EI (ELECTRONICS INTEGRATED)

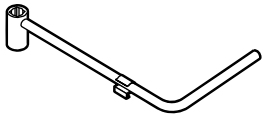
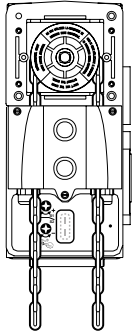
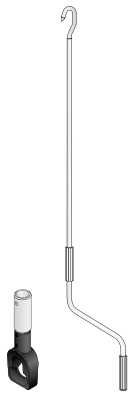
THREE-PHASE POWER SUPPLY: 400V 3~ / 50 Hz

DESCRIPTION	TORQUE	SPEED	POWER CONSUMPTION	INTENSITY	OPERATING TIME	WEIGHT	REFERENCE
SIMUBOX 120/25 EI TRI	120 Nm	25 rpm	1000 W	1.9 A	10 min.	18 kg	2009135

ACCESSORIES





FOR MOUNTING	
<p>HORIZONTAL OR VERTICAL MOUNTING : Block rod + bracket set + locking ring</p>	

DESIGNATION	REFERENCE
Block rod	9146521
Bracket set	9146587
Locking ring	9146583
10 meter chain	9146501
Ring	9000907
Crank handle with hook	<i>see SIMU catalogue</i>

MANUAL OVERRIDE	
<p>SHORT CRANK (included)</p>	
<p>OVERRIDE BY CHAIN - 10 meter chain</p>	
<p>OVERRIDE WITH LONG CRANK - Ring - Crank handle with hook</p>	

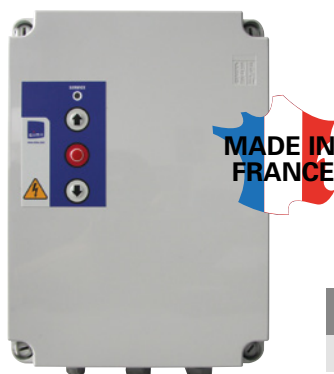
COMPATIBILITY

SINGLE-PHASE SIMUBOX AND THREE-PHASE SIMUBOX EI have been made to be exclusively controlled by unstable keyswitches offered in the SIMU catalogue.

UNSTABLE WIRED CONTROLS			
Universal key switch in unstable mode (with or without branding)	Unstable key switch	Unstable waterproof key switch	Waterproof rotary push button
			

DESIGNATION	REFERENCE
Universal key switch with branding	2004964
Universal key switch without branding	2008332
Unstable key switch	2001548
Unstable waterproof key switch	2006752
Waterproof rotary push button	2006754

THREE-PHASE SIMUBOX has been made to be exclusively controlled by SD510 control box.



DESCRIPTION	REFERENCE
SD510	2008779

i For any other key switch or control box, please contact your SIMU interlocutor.



Visit our website: www.simu.com



E-catalogue



Manuals




Videos



Recommendations



FAQ

Visit our Youtube channel:  YouTube

