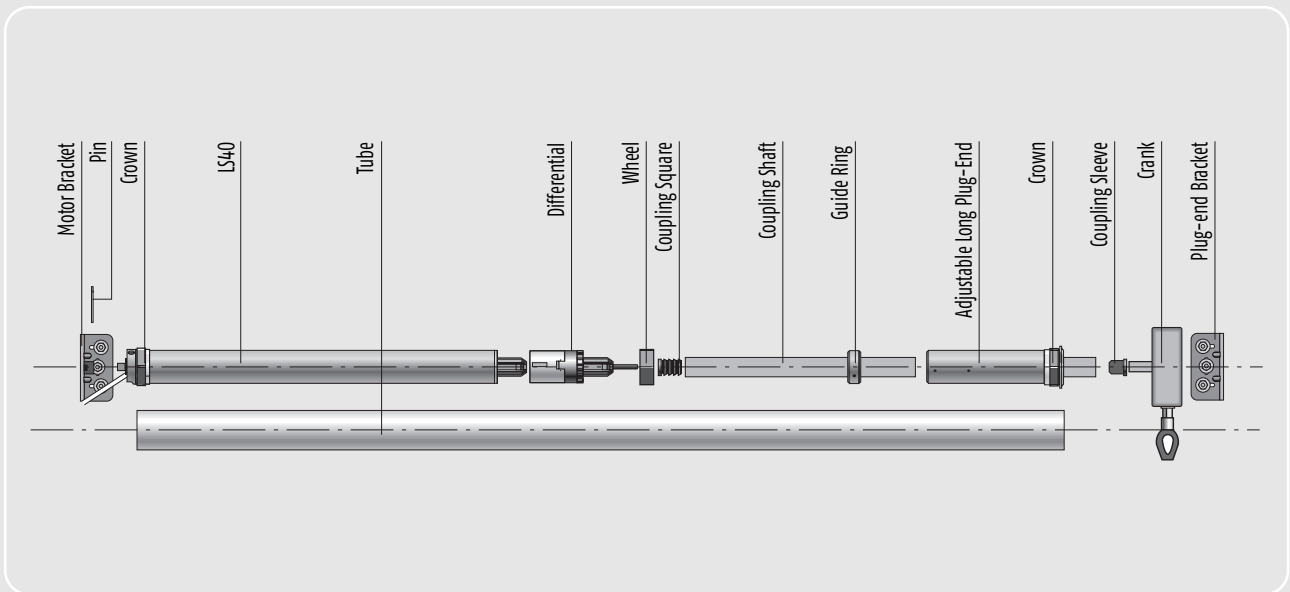


Differentials

Differentials are used when a CSI motor can not be used (because of a lack of space for instance). Only for LS 40 or LT 50 motors and cannot be used with our LT 60 motor range.



A differential can only be used with motors equipped with a mechanical end-limit switch

By using a differential (composed of the different parts detailed above) the rolling shutter or the awning can be operated manually with a crank.