

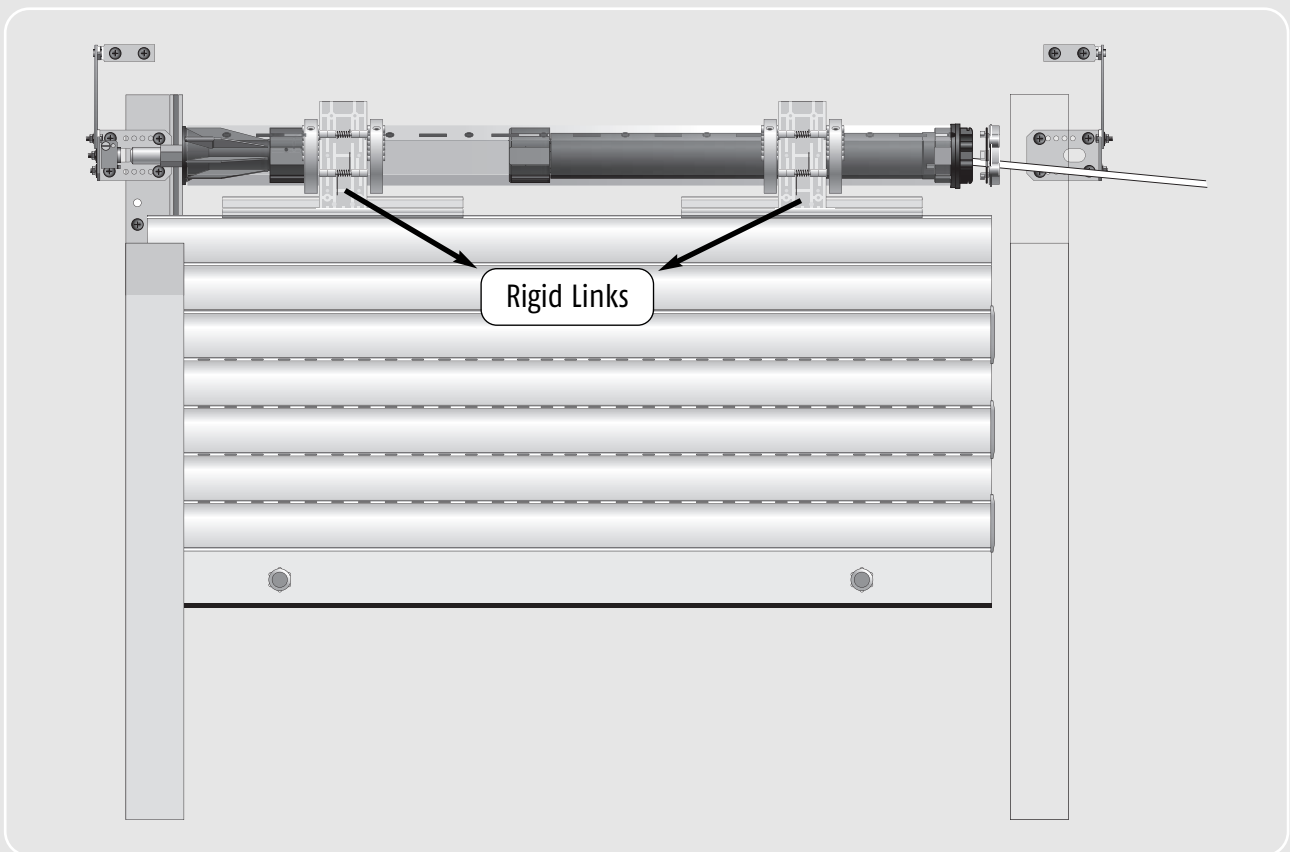
Links and lockers

Straps, fasteners, links or lockers fasten the roller shutter curtain to the tube. Straps or fasteners can only be used when using motors with mechanical end limit settings, when the shutter is forced manually they give no security, and do not offer an obstacle detection. This is the reason why fasteners are only compatible with our LS40, LT50 or LT60 motors.

Rigid links and lockers are compulsory for obstacle detection through the DBE, lockers are defined as being an anti-burglary system, whereas links are less rigid than lockers.

The number of rigid links or lockers per shutter depends on the size of the shutter. The number of link parts (1, 2 or 3) will depend on the size of the roller shutter box. Please refer to the instruction leaflet for all the details.

Straps or fasteners can only be used with motors having mechanical end limit settings. Rigid links and lockers can be used with all our motors and are required with IPS0, Oximo RTS, Oximo WT motors.



		Resistance
Rigid Link	Imbac	+
	ZF Standard	++
	Clicksur ZF	+++
	Octoclic 60	++++
Lockers	Miniblocksur ZF	++++
	Blocksur ZF	+++++
	VAS Imbac	+++++